



BRAKE PAD

P 50 145

The P 50 145 brake pad is synonymous with reliability

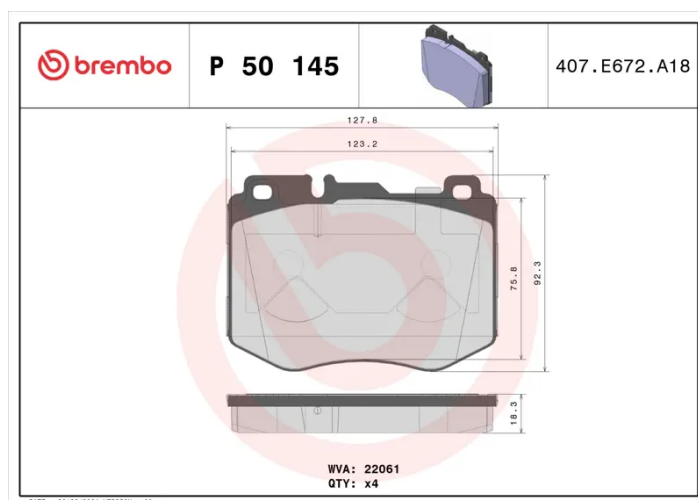
The Brembo brake pad guarantees ultimate safety when braking thanks to the use of more than 100 different compounds, designed according to the type of vehicle and use. Stopping distances reduced to a minimum, maximum driving comfort and silent operation are the most important features of Brembo materials. Brembo brake pads are supplied together with an extensive range of accessories and assembly kits for professional-standard installation.

- ✓ OE-equivalent
- ✓ Brembo quality
- ✓ ECE-R90 certificate
- ✓ Safety
- ✓ Performance
- ✓ Comfort



Technical specifications

EAN code 8020584115121	Axle Front	Thickness 18 mm
Width 128 mm	Height 93 mm	Braking system Brembo
Wear indicator Prepared for wear indicator	WVA number 22061	Accessories With anti-squeal shim



COMPATIBLE VEHICLES

COMPATIBLE OE PART NUMBERS

00042080064	MERCEDES-BENZ
-------------	---------------

0004208100	MERCEDES-BENZ
------------	---------------

000420810064	MERCEDES-BENZ
--------------	---------------

A00042080064	MERCEDES-BENZ
--------------	---------------

A0004208100	MERCEDES-BENZ
-------------	---------------

A000420810064	MERCEDES-BENZ
---------------	---------------
