



BRAKE PAD

P 54 031

The P 54 031 brake pad is synonymous with reliability

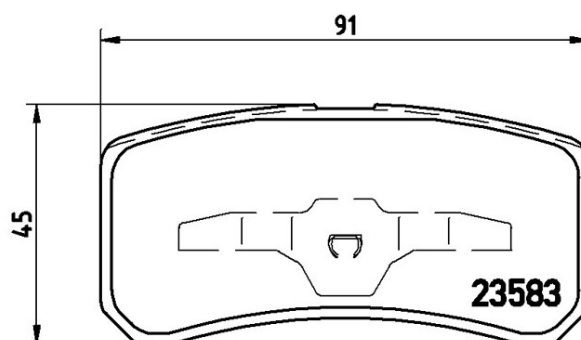
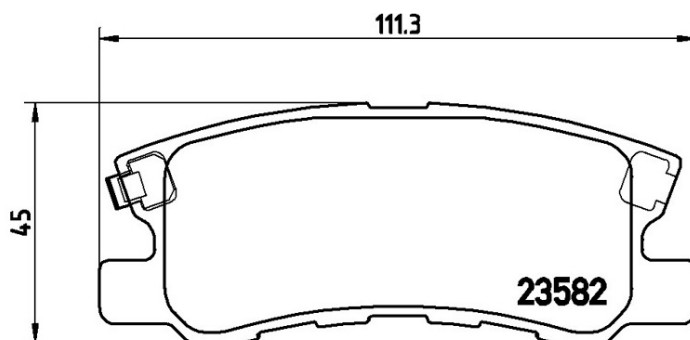
The Brembo brake pad guarantees ultimate safety when braking thanks to the use of more than 100 different compounds, designed according to the type of vehicle and use. Stopping distances reduced to a minimum, maximum driving comfort and silent operation are the most important features of Brembo materials. Brembo brake pads are supplied together with an extensive range of accessories and assembly kits for professional-standard installation.

- ✓ OE-equivalent
- ✓ Brembo quality
- ✓ ECE-R90 certificate
- ✓ Safety
- ✓ Performance
- ✓ Comfort



Technical specifications

EAN code	Axle	Thickness
8020584054789	Rear	16 mm
Width	Height	Braking system
91 mm	45 mm	Akebono
Wear indicator	WVA number	Accessories
Acoustic	23582,23583	With piston clip



COMPATIBLE OE PART NUMBERS

128419107	BAIC WEIWANG
068020256AA	CHRYSLER
68020256AA	CHRYSLER
K68028671AA	CHRYSLER
V2011271AA	CHRYSLER
V2011271AB	CHRYSLER
V2018671AA	CHRYSLER
1606294580	CITROËN
1617265280	CITROËN
425390	CITROËN
425391	CITROËN
425448	CITROËN
2AMV4671AA	DODGE
68028671AA	DODGE
68033078AA	DODGE
K68033078AA	DODGE
V2018671AA	DODGE
V2018671AB	DODGE
V2018671AA	JEEP
K68020256AA	LANCIA
K68020262AA	LANCIA
K68028671AA	LANCIA
1606294580	MITSUBISHI
4605A265	MITSUBISHI
4605A447	MITSUBISHI
4605A448	MITSUBISHI
4605A487	MITSUBISHI
4605A502	MITSUBISHI
MN102628	MITSUBISHI
MR510544	MITSUBISHI
MZ690183	MITSUBISHI
MZ690346	MITSUBISHI
MZ690574	MITSUBISHI
4605B253	MITSUBISHI (GAC)
1611838980	PEUGEOT
425390	PEUGEOT
425391	PEUGEOT
425448	PEUGEOT