



BRAKE PAD

P 61 102

The P 61 102 brake pad is synonymous with reliability

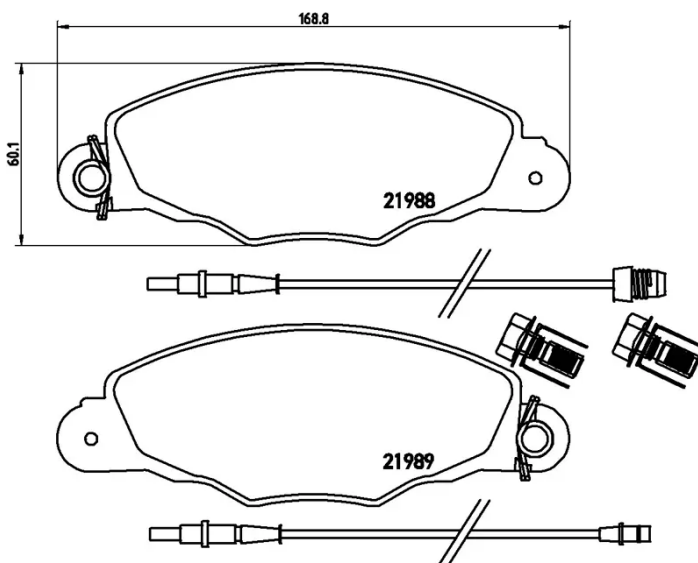
The Brembo brake pad guarantees ultimate safety when braking thanks to the use of more than 100 different compounds, designed according to the type of vehicle and use. Stopping distances reduced to a minimum, maximum driving comfort and silent operation are the most important features of Brembo materials. Brembo brake pads are supplied together with an extensive range of accessories and assembly kits for professional-standard installation.

- ✓ OE-equivalent
- ✓ Brembo quality
- ✓ ECE-R90 certificate
- ✓ Safety
- ✓ Performance
- ✓ Comfort
- ✓ With accessories



Technical specifications

EAN code 8020584061800	Axle Front	Thickness 18 mm
Width 169 mm	Height 60 mm	Braking system Bosch
Wear indicator Electric	WVA number 21988,21989	Accessories With accessories With anti-squeal shim With brake caliper bolts



COMPATIBLE VEHICLES

COMPATIBLE OE PART NUMBERS

425184	CITROËN
--------	---------

E172299	CITROËN
---------	---------

425184	PEUGEOT
--------	---------

E172299	PEUGEOT
---------	---------