



BRAKE PAD

P 66 004

The P 66 004 brake pad is synonymous with reliability

The Brembo brake pad guarantees ultimate safety when braking thanks to the use of more than 100 different compounds, designed according to the type of vehicle and use. Stopping distances reduced to a minimum, maximum driving comfort and silent operation are the most important features of Brembo materials. Brembo brake pads are supplied together with an extensive range of accessories and assembly kits for professional-standard installation.

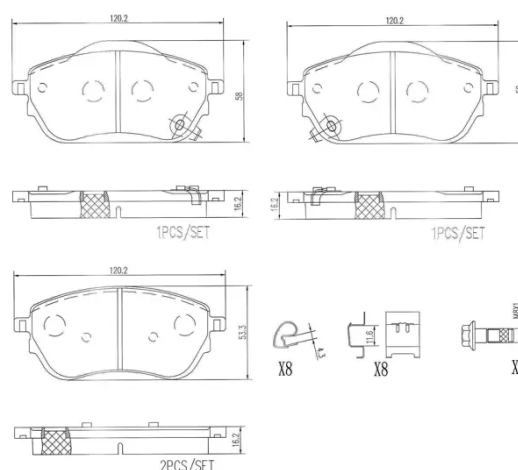
- ✓ OE-equivalent
- ✓ Brembo quality
- ✓ ECE-R90 certificate
- ✓ Safety
- ✓ Performance
- ✓ Comfort
- ✓ With accessories

Technical specifications

EAN code Axle Thickness
8020584115251 **Front** **16 mm**

Width Height
120 mm **53 mm**

Wear indicator Accessories
Acoustic **With accessories**
 With anti-squeal shim
 With brake caliper bolts



COMPATIBLE VEHICLES

COMPATIBLE OE PART NUMBERS

PW990525

PROTON
