



# SA BRAKE PAD 07HO42SA

The 07HO42SA brake pad is synonymous with reliability

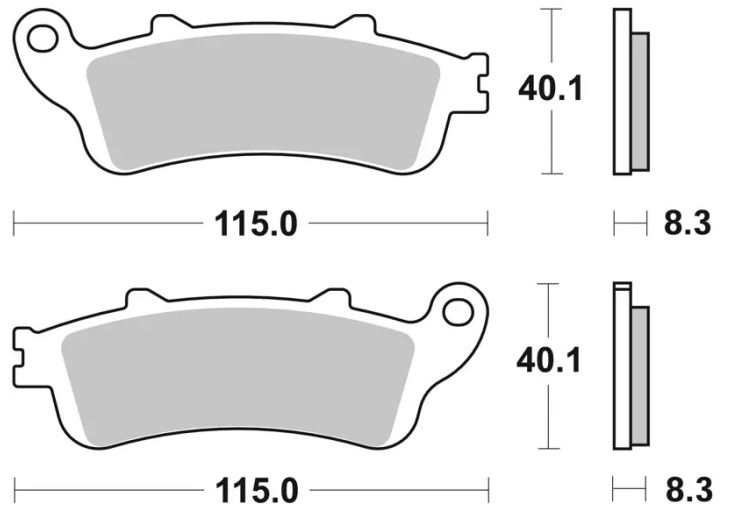
Sintered compound, specific for front application, characterised by excellent efficiency in all conditions of use. It is the ideal alternative to original pads. This compound is characterised by low wear which guarantees long life and suitable mileage.

- ✓ OE-equivalent
- ✓ Brembo quality
- ✓ ECE-R90 certificate
- ✓ Safety
- ✓ Performance
- ✓ Comfort



## Technical specifications

Width mm	Height <b>40,13</b> mm	Thickness <b>8,3</b> mm
Compound <b>Sinter</b>	Units per box <b>2</b>	



COMPATIBLE VEHICLES