



BRAKE PAD PRIME CERAMIC P56105N

The P56105N NAO brake pad is synonymous with reliability

Brembo NAO brake pads stand out for their ultimate braking comfort, reduced friction wear and low dust mission, which makes for cleaner rims and reduced maintenance requirements. The advanced friction material in keeping with the strictest environmental standards is the main distinguishing feature of NAO compounds.

- ✓ OE-equivalent
- ✓ Brembo quality
- ✓ Safety
- ✓ Comfort
- ✓ Durability
- ✓ Dust reduction
- ✓ With accessories



Technical specifications

EAN code
8020584082256

Thickness
17 mm

Width
142 mm

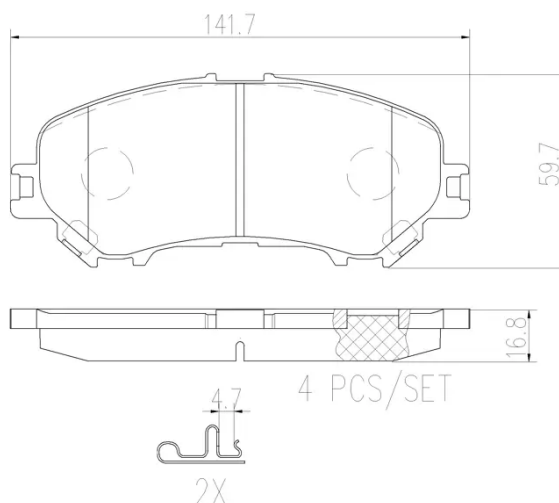
Height
60 mm

Braking system
Akebono

Wear indicator
Acoustic

WVA number
22065

Accessories
With anti-squeal shim



COMPATIBLE OE PART NUMBERS