



BRAKE DISC

08.3636.10

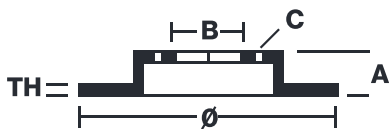
The **08.3636.10** brake disc is synonymous with reliability

The Brembo brake disc is fully interchangeable with an Original Equipment brake disc. The control of the entire production cycle allows Brembo to offer brake discs with outstanding performance levels, reliability, durability and comfort in all conditions of use. All Brembo brake discs are accompanied by the ECE-R90 homologation.

- ✓ OE-equivalent
- ✓ Brembo quality
- ✓ ECE-R90 certificate
- ✓ Safety



Technical specifications

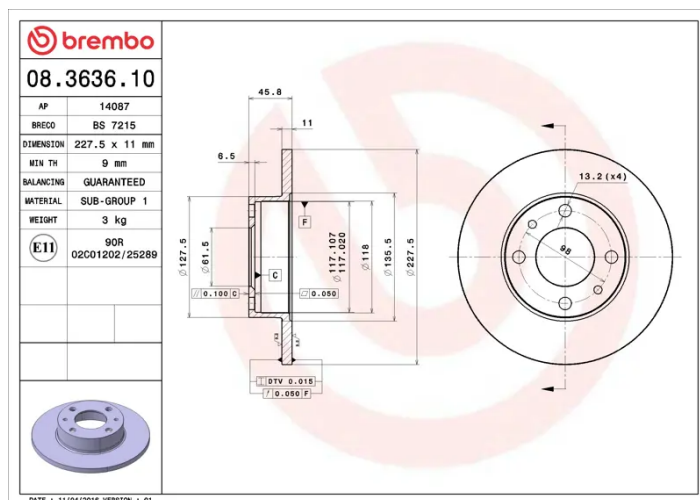


EAN code **8020584363614** Axle **Front and rear**

Thickness (TH) **10,8 mm** Height (A) **46 mm** Diameter Ø **227 mm**

Brake disc type **Solid** Number of holes (C) **4** Min. thickness **9 mm**

Tightening torque **86 Nm**



COMPATIBLE VEHICLES

COMPATIBLE OE PART NUMBERS

4385812 AUTOBIANCHI

94385812 AUTOBIANCHI

4139010 FIAT

4208311 FIAT

4319010 FIAT

4385812 FIAT

71738422 FIAT

4208311 FSO

4385812 FSO

655438512 FSO

655439010 FSO

4385812 INNOCENTI

94385812 INNOCENTI

4385812 LANCIA

71738422 LANCIA

94385812 LANCIA

16500253 SEAT

984385812 SEAT

RF16500250 SEAT

RF16500253 SEAT

SE022165002A SEAT

4385812 YUGO

46618703 YUGO

4385812 ZASTAVA
