



BRAKE DISC PAINTED

08.A715.11

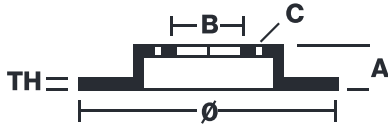
The 08.A715.11 painted brake disc is synonymous with reliability

The Brembo brake disc with special UV paint treatment guarantees superior corrosion resistance for the product, thanks to the protective coating on the outer edges and on the disc hub. The UV paint not only gives the disc a clean, shiny appearance but is also beneficial for the environment as the water-based UV paint treatment does not require the use of chemical solvents and is a low energy consumption process.

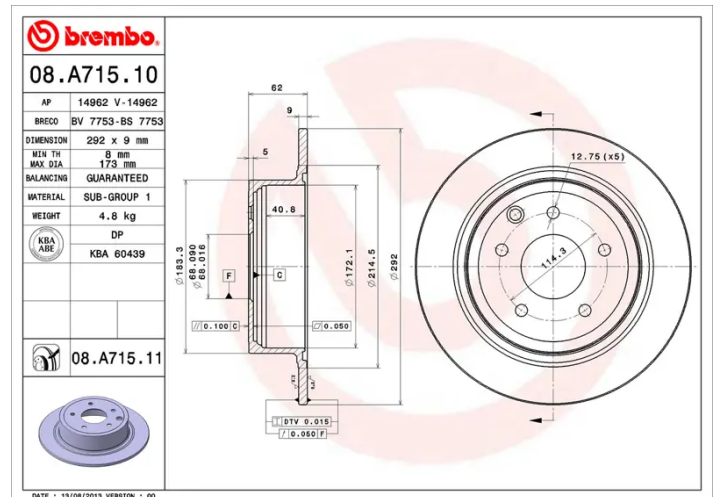
- ✓ OE-equivalent
- ✓ Brembo quality
- ✓ ECE-R90 certificate
- ✓ Safety
- ✓ Anti-corrosion



Technical specifications



EAN code 8020584032565	Axle Rear	Diameter Ø 292 mm
Thickness (TH) 9 mm	Height (A) 62 mm	Number of holes (C) 5
Brake disc type Solid	Centering (B) 68 mm	Min. thickness 8 mm



COMPATIBLE VEHICLES

COMPATIBLE OE PART NUMBERS

432069W000	INFINITI
43206JD00A	INFINITI
43206JD00B	INFINITI
43206015VA	NISSAN
432063SC0A	NISSAN
432063Z600	NISSAN
432067Y000	NISSAN
432068J100	NISSAN
432068J101	NISSAN
432068J102	NISSAN
432069W000	NISSAN
432069Y000	NISSAN
43206JA00A	NISSAN
43206JA00B	NISSAN
43206JD00A	NISSAN
43206JD00B	NISSAN
43206JE20A	NISSAN
43206JN80A	NISSAN
43206LE02A	NISSAN
43206ZX00A	NISSAN
43206ZX00B	NISSAN
D3206JD00AVA	NISSAN
432069W100	NISSAN (DFAC)
43206JE20A	NISSAN (DFAC)
43206JE20AC166D	RENAULT
43206JE20A	RENAULT (DFAC)