



BRAKE DISC MAX

08.B601.75

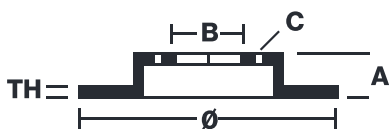
The 08.B601.75 Max brake disc is synonymous with reliability

The Brembo Max brake disc features grooves on the braking surface. The special shape of the grooves generates greater fading resistance and constant renewal of friction material, quickly restoring optimum braking conditions. The UV paint completes the sporty look.

- ✓ Brembo quality
- ✓ ECE-R90 certificate
- ✓ Performance
- ✓ Sports driving
- ✓ Sporty look
- ✓ Anti-corrosion



Technical specifications



EAN code
8020584317457

Axle
Rear

Diameter Ø
280 mm

Thickness (TH)
11 mm

Height (A)
51 mm

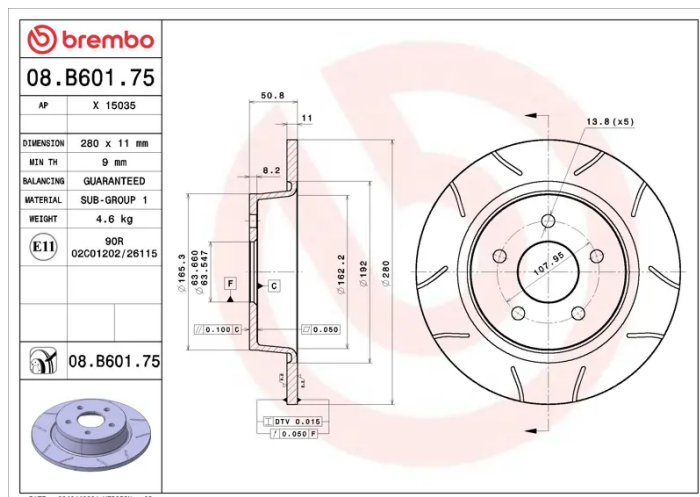
Number of holes (C)
5

Brake disc type
Solid

Centering (B)
64 mm

Min. thickness
9 mm

Tightening torque
90 Nm



COMPATIBLE VEHICLES

COMPATIBLE OE PART NUMBERS

1683383	FORD
1683384	FORD
1829615	FORD
AV612A315AA	FORD
AV612A315BA	FORD
CV6Z2C026B	FORD
CV6Z2C026C	FORD
DV612A315AB	FORD
DV612A315BA	FORD
DV6Z2C026A	FORD
CV6Z2C026C	FORD USA