



BRAKE DISC

09.8003.10

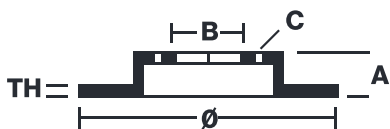
The **09.8003.10** brake disc is synonymous with reliability

The Brembo brake disc is fully interchangeable with an Original Equipment brake disc. The control of the entire production cycle allows Brembo to offer brake discs with outstanding performance levels, reliability, durability and comfort in all conditions of use. All Brembo brake discs are accompanied by the ECE-R90 homologation.

- ✓ OE-equivalent
- ✓ Brembo quality
- ✓ ECE-R90 certificate
- ✓ Safety
- ✓ PVT ventilation



Technical specifications



EAN code **8020584800317** Axle **Front and rear**

Thickness (TH) **28 mm** Height (A) **44 mm**

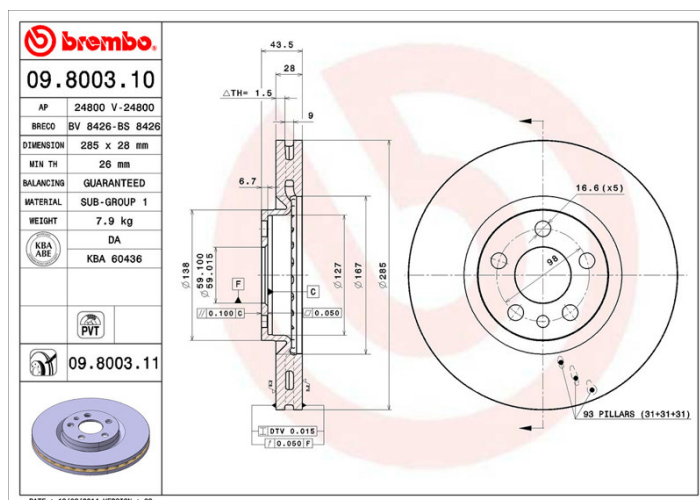
Brake disc type **Ventilated** Centering (B) **59 mm**

Tightening torque **100 Nm**

Diameter \varnothing **285 mm**

Number of holes (C) **5**

Min. thickness **26 mm**



COMPATIBLE VEHICLES

COMPATIBLE OE PART NUMBERS

1618862880 CITROËN

4246P2 CITROËN

4249H7 CITROËN

E169146 CITROËN

1325772080 FIAT

1331301080 FIAT

1340179080 FIAT

1340193080 FIAT

1325772080 LANCIA

1331301080 LANCIA

1340179080 LANCIA

1340193080 LANCIA

10008343 MG

10023289 MG

SDB000960 MG

10008343 MG (SAIC)

10023289 MG (SAIC)

SDB000960 MG (SAIC)

1618862880 PEUGEOT

4246P1 PEUGEOT

4246P2 PEUGEOT

4249H7 PEUGEOT

E169146 PEUGEOT

10008343 ROEWE (SAIC)

10023289 ROEWE (SAIC)

SDB000960 ROEWE (SAIC)
