



BRAKE DISC MAX

09.9369.75

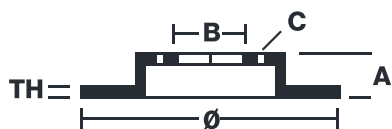
The 09.9369.75 Max brake disc is synonymous with reliability

The Brembo Max brake disc features grooves on the braking surface. The special shape of the grooves generates greater fading resistance and constant renewal of friction material, quickly restoring optimum braking conditions. The UV paint completes the sporty look.

- ✓ Brembo quality
- ✓ ECE-R90 certificate
- ✓ Performance
- ✓ Sports driving
- ✓ Sporty look
- ✓ Anti-corrosion



Technical specifications



EAN code
8020584031292

Axle
Front

Diameter Ø
308 mm

Thickness (TH)
25 mm

Height (A)
42 mm

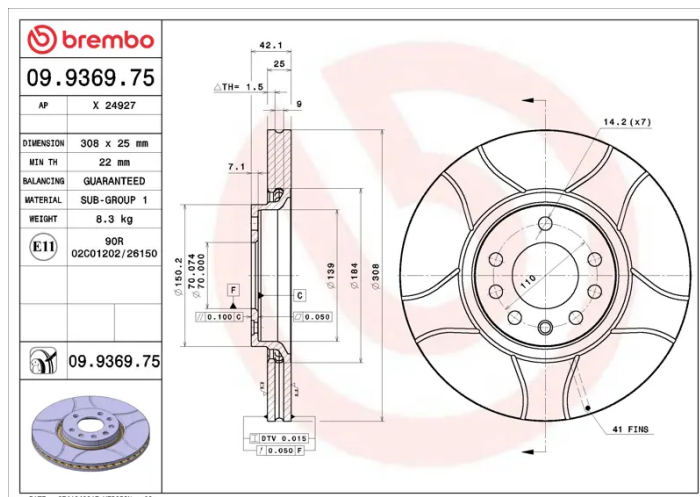
Number of holes (C)
5

Brake disc type
Ventilated

Centering (B)
70 mm

Min. thickness
22 mm

Tightening torque
110 Nm



COMPATIBLE VEHICLES

COMPATIBLE OE PART NUMBERS

5391560	BAIC
5391560	BAIC BJEV
9194477	CHEVROLET
95526651	CHEVROLET
569061	OPEL
9194477	OPEL
95526651	OPEL
4567798	SAAB
5055389	SAAB
5084769	SAAB
5122833	SAAB
5391560	SAAB
9184405	SAAB
9194477	SAAB
9184405	VAUXHALL
9194477	VAUXHALL
95526651	VAUXHALL