



BRAKE DISC

09.A738.14

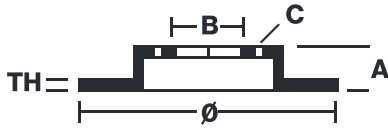
The **09.A738.14** brake disc is synonymous with reliability

The Brembo brake disc is fully interchangeable with an Original Equipment brake disc. The control of the entire production cycle allows Brembo to offer brake discs with outstanding performance levels, reliability, durability and comfort in all conditions of use. All Brembo brake discs are accompanied by the ECE-R90 homologation.

- ✓ OE-equivalent
- ✓ Brembo quality
- ✓ ECE-R90 certificate
- ✓ Safety

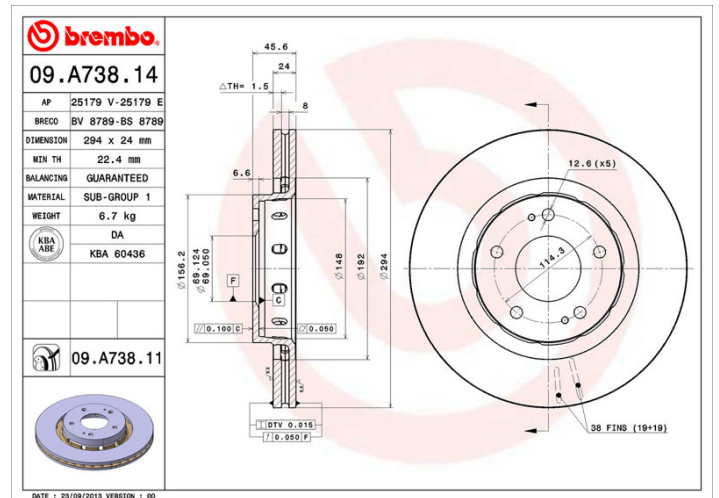


Technical specifications



EAN code 8020584020258	Axle Front	Diameter Ø 294 mm
Thickness (TH) 24 mm	Height (A) 46 mm	Number of holes (C) 5
Brake disc type Ventilated	Centering (B) 69 mm	Min. thickness 22,4 mm

Tightening torque
100 Nm



COMPATIBLE VEHICLES

COMPATIBLE OE PART NUMBERS

1606375780	CITROËN
------------	---------

1611429880	CITROËN
------------	---------

424959	CITROËN
--------	---------

4249F3	CITROËN
--------	---------

4615A006	MITSUBISHI
----------	------------

4615A113	MITSUBISHI
----------	------------

4615A179	MITSUBISHI
----------	------------

46515A189	MITSUBISHI
-----------	------------

MR128659	MITSUBISHI
----------	------------

MR205215	MITSUBISHI
----------	------------

MR307376	MITSUBISHI
----------	------------

1606375780	PEUGEOT
------------	---------

1611429880	PEUGEOT
------------	---------

424958	PEUGEOT
--------	---------

4249F3	PEUGEOT
--------	---------