



BRAKE DISC PAINTED

09.A921.11

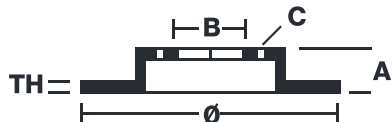
The 09.A921.11 painted brake disc is synonymous with reliability

The Brembo brake disc with special UV paint treatment guarantees superior corrosion resistance for the product, thanks to the protective coating on the outer edges and on the disc hub. The UV paint not only gives the disc a clean, shiny appearance but is also beneficial for the environment as the water-based UV paint treatment does not require the use of chemical solvents and is a low energy consumption process.

- ✓ OE-equivalent
- ✓ Brembo quality
- ✓ ECE-R90 certificate
- ✓ Safety
- ✓ Anti-corrosion

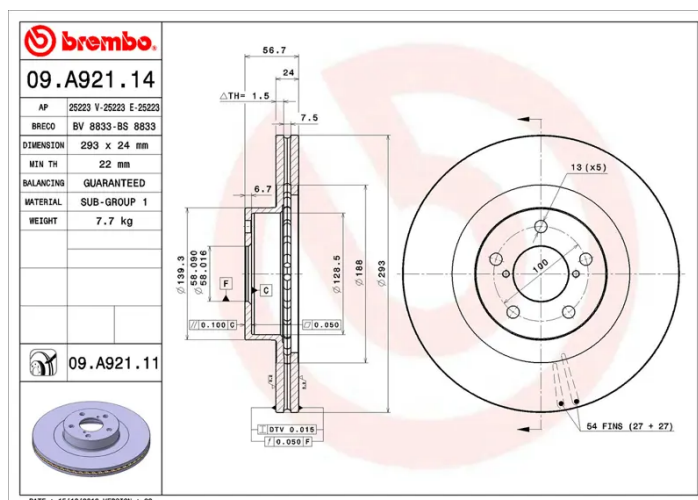


Technical specifications



EAN code	Axle	Diameter Ø
8020584031711	Front	293 mm
Thickness (TH)	Height (A)	Number of holes (C)
24 mm	57 mm	5
Brake disc type	Centering (B)	Min. thickness
Ventilated	58 mm	22 mm

Tightening torque
100 Nm



COMPATIBLE VEHICLES

COMPATIBLE OE PART NUMBERS

26300AG01A	SUBARU
------------	--------

26300AG01B	SUBARU
------------	--------

26300FE040	SUBARU
------------	--------

26300SA000	SUBARU
------------	--------

26300SA001	SUBARU
------------	--------

SU00300586	TOYOTA
------------	--------