



BRAKE DISC XTRA

09.B266.1X

The 09.B266.1X Xtra brake disc is synonymous with reliability

The Brembo Xtra brake disc features holes on the braking surface. The holes are designed to improve the cooling of the braking system, to generate greater fading resistance and grip in the initial stages of braking. The sports look is also enhanced by the presence of the UV paint.

- ✓ Brembo quality
- ✓ ECE-R90 certificate
- ✓ Performance
- ✓ Sports driving
- ✓ Sporty look
- ✓ Anti-corrosion



Technical specifications



EAN code
8020584323281

Axle
Front

Diameter \varnothing
320 mm

Thickness (TH)
28 mm

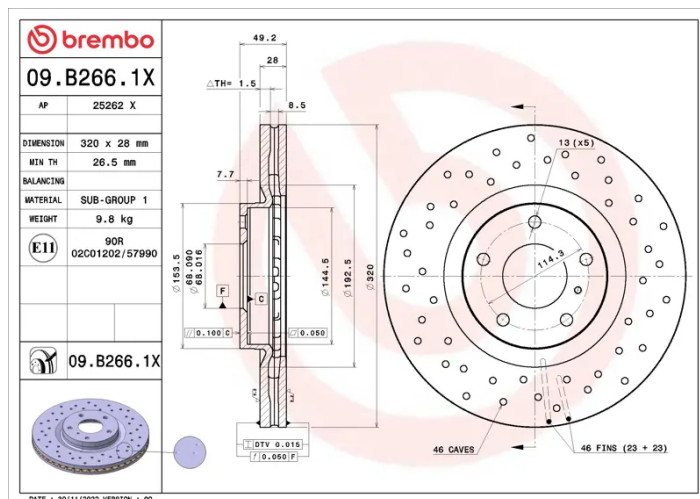
Height (A)
49,2 mm

Number of holes (C)
5

Brake disc type
Ventilated

Centering (B)
68 mm

Min. thickness
26,5 mm



COMPATIBLE VEHICLES

COMPATIBLE OE PART NUMBERS

40206CG010 INFINITI

40206EG000 INFINITI

40206EG00B INFINITI

402061AA0A NISSAN

402067Y000 NISSAN

402069N00A NISSAN

402069N00C NISSAN

40206CA000 NISSAN

40206CA010 NISSAN

40206EG000 NISSAN

40206EG00B NISSAN

40206ZA500 NISSAN

D0206ZA500 NISSAN

402061AA0A NISSAN (DFAC)

40206EG000 NISSAN (DFAC)
