



BRAKE DISC XTRA

09.B338.2X

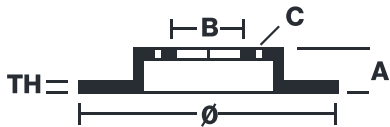
The 09.B338.2X Xtra brake disc is synonymous with reliability

The Brembo Xtra brake disc features holes on the braking surface. The holes are designed to improve the cooling of the braking system, to generate greater fading resistance and grip in the initial stages of braking. The sports look is also enhanced by the presence of the UV paint.

- ✓ Brembo quality
- ✓ ECE-R90 certificate
- ✓ Performance
- ✓ Sports driving
- ✓ Sporty look
- ✓ High carbon
- ✓ Anti-corrosion
- ✓ Fastening screws



Technical specifications



EAN code
8020584237977

Axle
Rear

Diameter Ø
300 mm

Thickness (TH)
20 mm

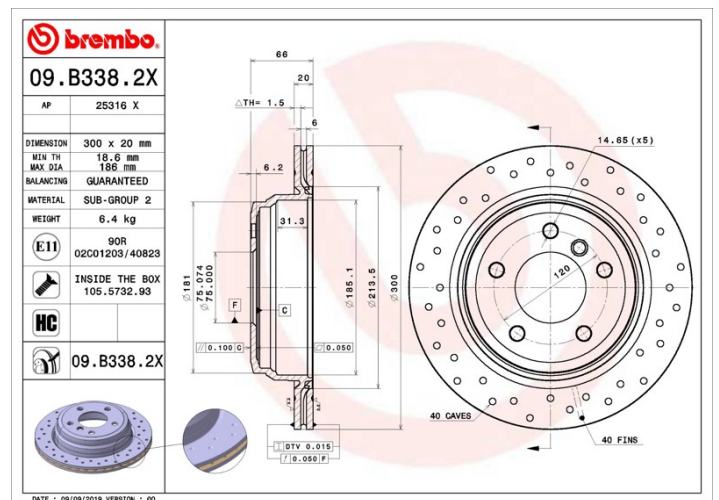
Height (A)
66 mm

Number of holes (C)
5

Brake disc type
Ventilated

Centering (B)
75 mm

Min. thickness
18,6 mm



COMPATIBLE VEHICLES

COMPATIBLE OE PART NUMBERS

| | |
|-------------|------------------|
| 34216764653 | BMW |
| 34216855008 | BMW |
| 34216855657 | BMW |
| 34216864901 | BMW |
| 34216764653 | BMW (BRILLIANCE) |
| 34216855008 | BMW (BRILLIANCE) |
| 34216864901 | BMW (BRILLIANCE) |