



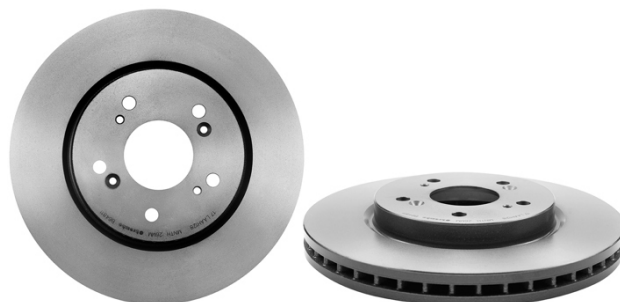
BRAKE DISC PAINTED

09.B648.11

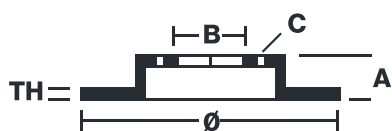
The 09.B648.11 painted brake disc is synonymous with reliability

The Brembo brake disc with special UV paint treatment guarantees superior corrosion resistance for the product, thanks to the protective coating on the outer edges and on the disc hub. The UV paint not only gives the disc a clean, shiny appearance but is also beneficial for the environment as the water-based UV paint treatment does not require the use of chemical solvents and is a low energy consumption process.

- ✓ OE-equivalent
- ✓ Brembo quality
- ✓ ECE-R90 certificate
- ✓ Safety
- ✓ Anti-corrosion
- ✓ Fastening screws



Technical specifications



EAN code
8020584215166

Axle
Front

Diameter Ø
296 mm

Thickness (TH)
28 mm

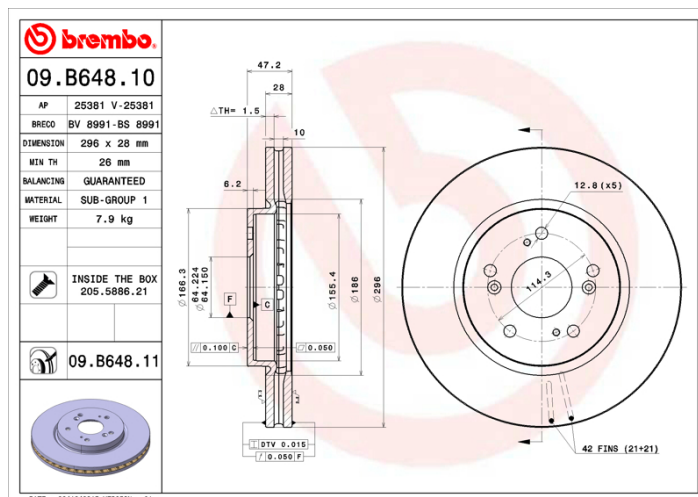
Height (A)
47 mm

Number of holes (C)
5

Brake disc type
Ventilated

Centering (B)
64 mm

Min. thickness
26 mm



COMPATIBLE VEHICLES

COMPATIBLE OE PART NUMBERS

45251SWAA22	ACURA
45251STKA00	HONDA
45251SWAA21	HONDA
45251SWAA22	HONDA
45251SWE000	HONDA
45251SXA01	HONDA
45251T0GA00	HONDA
45251SWN020	HONDA (DONGFENG)
45251SWN020	HONDA (GAC)