



BRAKE DISC PAINTED

09.C128.33

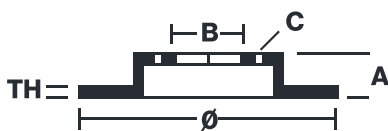
Dual Cast brake disc 09.C128.33 belongs to Brembo Premium Line

The Dual Cast brake disc is an exclusive Brembo solution characterised by a cast iron braking surface and the aluminium hat, which combine the advantages of cast iron behaviour at high temperatures with the light weight of aluminium. This results in a lighter weight and less thermal deformation for improved braking system performance.

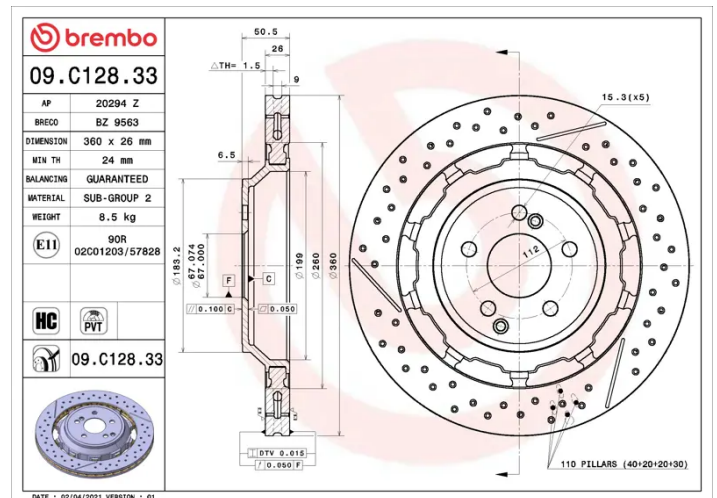
- ✓ OE-equivalent
- ✓ Brembo quality
- ✓ ECE-R90 certificate
- ✓ Weight reduction
- ✓ High carbon
- ✓ Bi-Material Brake Disc
- ✓ Anti-corrosion
- ✓ Fading resistance



Technical specifications



EAN code 8020584316368	Axle Rear	Diameter Ø 360 mm
Thickness (TH) 26 mm	Height (A) 50,5 mm	Number of holes (C) 5
Brake disc type Ventilated	Centering (B) 67 mm	Min. thickness 24 mm



COMPATIBLE VEHICLES

COMPATIBLE OE PART NUMBERS

2224232012

MERCEDES-BENZ

A2224232012

MERCEDES-BENZ
