



BRAKE DISC PAINTED

09.C249.11

The 09.C249.11 painted brake disc is synonymous with reliability

The Brembo brake disc with special UV paint treatment guarantees superior corrosion resistance for the product, thanks to the protective coating on the outer edges and on the disc hub. The UV paint not only gives the disc a clean, shiny appearance but is also beneficial for the environment as the water-based UV paint treatment does not require the use of chemical solvents and is a low energy consumption process.

- ✓ OE-equivalent
- ✓ Brembo quality
- ✓ ECE-R90 certificate
- ✓ Safety
- ✓ High carbon
- ✓ Anti-corrosion
- ✓ Fastening screws



Technical specifications



EAN code
8020584212745

Axle
Front

Diameter Ø
280 mm

Thickness (TH)
23 mm

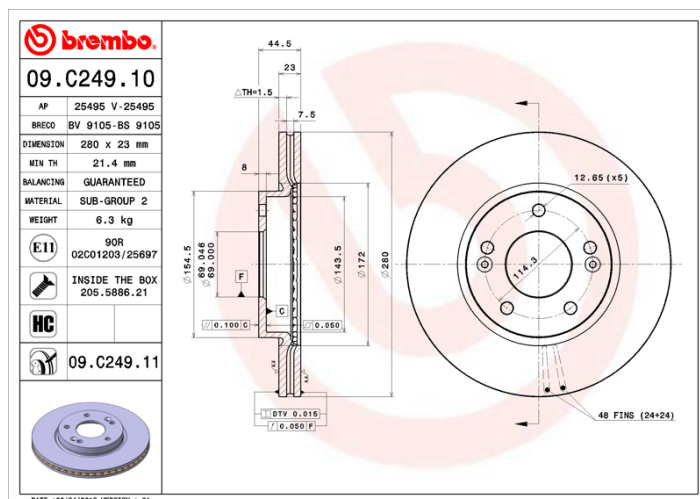
Height (A)
45 mm

Number of holes (C)
5

Brake disc type
Ventilated

Centering (B)
69 mm

Min. thickness
21,4 mm



COMPATIBLE VEHICLES

COMPATIBLE OE PART NUMBERS

517122V000 HYUNDAI

517123X000 HYUNDAI

517123Y000 HYUNDAI

517124V000 HYUNDAI

51712A6000 HYUNDAI

5517122V000 HYUNDAI

517123X000 HYUNDAI (BEIJING)

517124V000 HYUNDAI (BEIJING)

517123X000 INOKOM

517122V000 KIA

517123X000 KIA

51712A6000 KIA

51712A7000 KIA

551712A6000E KIA

517123X000 KIA (DYK)

517124V000 KIA (DYK)

51712A7000 NAZA
