



# BRAKE DISC MAX

## 09.C654.75

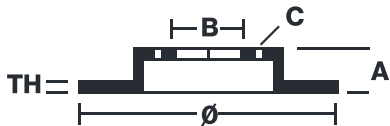
The 09.C654.75 Max brake disc is synonymous with reliability

The Brembo Max brake disc features grooves on the braking surface. The special shape of the grooves generates greater fading resistance and constant renewal of friction material, quickly restoring optimum braking conditions. The UV paint completes the sporty look.

- ✓ Brembo quality
- ✓ ECE-R90 certificate
- ✓ Performance
- ✓ Sports driving
- ✓ Sporty look
- ✓ Anti-corrosion



### Technical specifications



EAN code  
**8020584310939**

Axle  
**Front**

Diameter Ø  
**297 mm**

Thickness (TH)  
**28 mm**

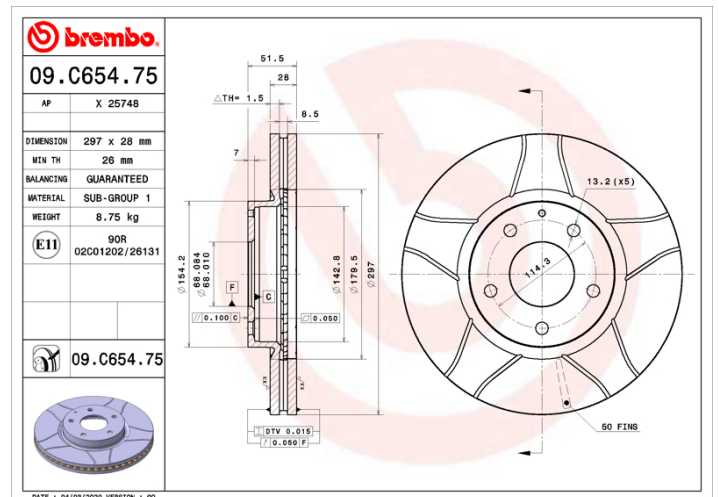
Height (A)  
**52 mm**

Number of holes (C)  
**5**

Brake disc type  
**Ventilated**

Centering (B)  
**68 mm**

Min. thickness  
**26 mm**



## COMPATIBLE OE PART NUMBERS

GHP933251	MAZDA
GHP933251A	MAZDA
GHR133251	MAZDA
GHR133251A	MAZDA
K01133251A	MAZDA
K01133251B	MAZDA
KR1233251A	MAZDA (CHANGAN)