



# BRAKE PAD PRIME CERAMIC

## P06113N

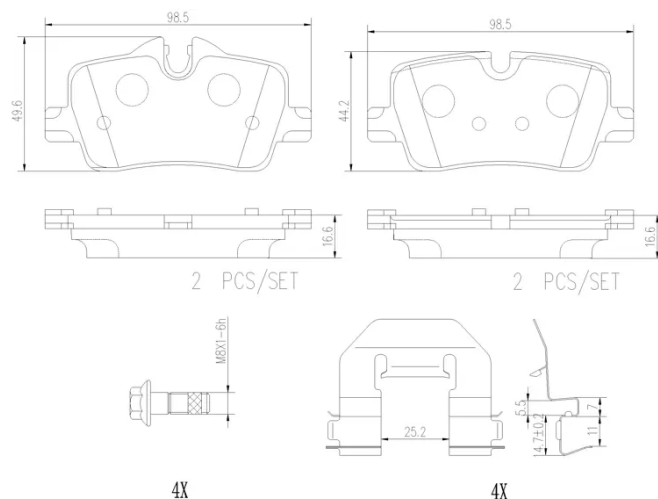
The P06113N NAO brake pad is synonymous with reliability

Brembo NAO brake pads stand out for their ultimate braking comfort, reduced friction wear and low dust mission, which makes for cleaner rims and reduced maintenance requirements. The advanced friction material in keeping with the strictest environmental standards is the main distinguishing feature of NAO compounds.

- ✓ OE-equivalent
- ✓ Brembo quality
- ✓ Safety
- ✓ Comfort
- ✓ Durability
- ✓ Dust reduction
- ✓ With accessories

### Technical specifications

EAN code <b>8020584118900</b>	Axle <b>Rear</b>	Thickness <b>17 mm</b>
Width <b>99 mm</b>	Height <b>44 mm</b>	Braking system <b>TRW</b>
Wear indicator <b>Prepared for wear indicator</b>	WVA number <b>21421,21422</b>	Accessories <b>With accessories</b> <b>With anti-squeal shim</b> <b>With brake caliper bolts</b>



### COMPATIBLE OE PART NUMBERS

34206888825	BMW
34208844393	BMW