



BRAKE PAD PRIME CERAMIC P09022N

The P09022N NAO brake pad is synonymous with reliability

Brembo NAO brake pads stand out for their ultimate braking comfort, reduced friction wear and low dust mission, which makes for cleaner rims and reduced maintenance requirements. The advanced friction material in keeping with the strictest environmental standards is the main distinguishing feature of NAO compounds.

- ✓ OE-equivalent
- ✓ Brembo quality
- ✓ Safety
- ✓ Comfort
- ✓ Durability
- ✓ Dust reduction
- ✓ With accessories



Technical specifications

EAN code
8020584082447

Thickness
15 mm

Width
110 mm

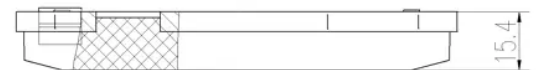
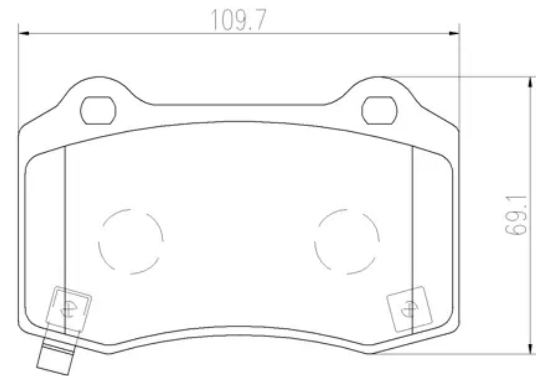
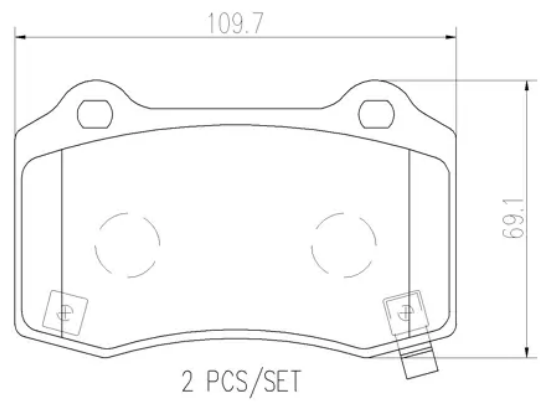
Height
69 mm

Braking system
Brembo

Wear indicator
Acoustic

WVA number
24076

Accessories
With anti-squeal shim



COMPATIBLE VEHICLES