



BRAKE PAD PRIME CERAMIC P11019N

The P11019N NAO brake pad is synonymous with reliability

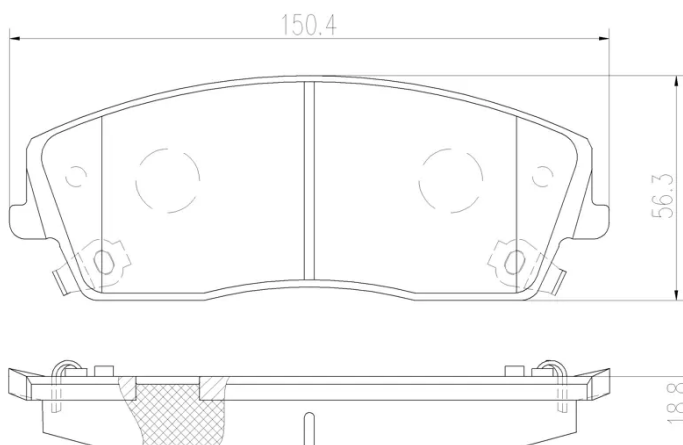
Brembo NAO brake pads stand out for their ultimate braking comfort, reduced friction wear and low dust mission, which makes for cleaner rims and reduced maintenance requirements. The advanced friction material in keeping with the strictest environmental standards is the main distinguishing feature of NAO compounds.

- ✓ OE-equivalent
- ✓ Brembo quality
- ✓ Safety
- ✓ Comfort
- ✓ Durability
- ✓ Dust reduction
- ✓ With accessories



Technical specifications

EAN code 8020584096574	Axle Front	Thickness 19 mm
Width 150 mm	Height 56 mm	Braking system Bosch
Wear indicator Acoustic	WVA number 24166	Accessories With piston clip With accessories With anti-squeal shim



4 PCS/SET

COMPATIBLE VEHICLES

COMPATIBLE OE PART NUMBERS

05142555AA	CHRYSLER
------------	----------

5142555AA	CHRYSLER
-----------	----------

K05142555AA	CHRYSLER
-------------	----------

K05175208AA	LANCIA
-------------	--------

K68147681AB	LANCIA
-------------	--------
