

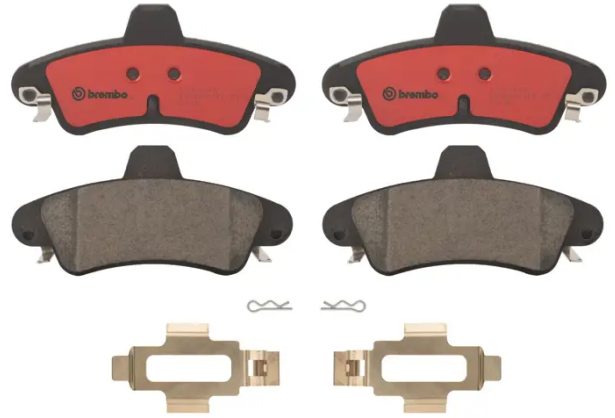


BRAKE PAD PRIME CERAMIC P24070N

The P24070N NAO brake pad is synonymous with reliability

Brembo NAO brake pads stand out for their ultimate braking comfort, reduced friction wear and low dust mission, which makes for cleaner rims and reduced maintenance requirements. The advanced friction material in keeping with the strictest environmental standards is the main distinguishing feature of NAO compounds.

- ✓ OE-equivalent
- ✓ Brembo quality
- ✓ Safety
- ✓ Comfort
- ✓ Durability
- ✓ Dust reduction
- ✓ With accessories



Technical specifications

EAN code
8020584088463

Axle
Rear

Thickness
16 mm

Width
116 mm

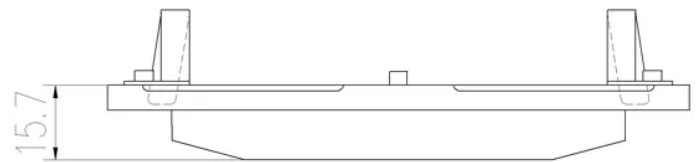
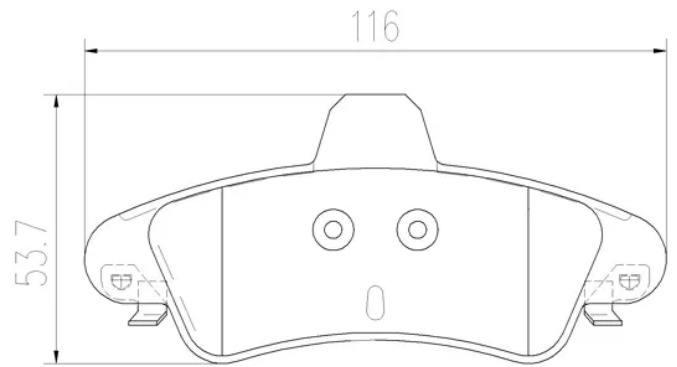
Height
54 mm

Braking system
Bosch

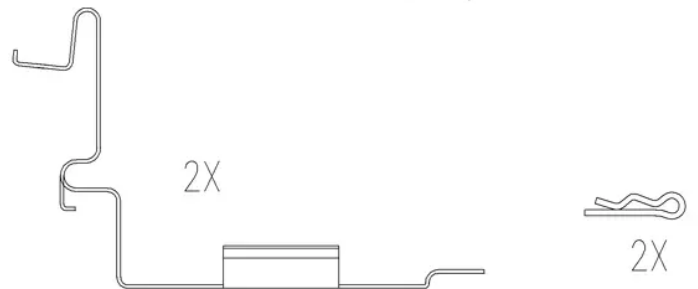
Wear indicator
Without

WVA number
23410

Accessories
With anti-squeal shim



4 PCS/SET



COMPATIBLE VEHICLES

COMPATIBLE OE PART NUMBERS

1088934	FORD
1089404	FORD
1129885	FORD
1129985	FORD
1204850	FORD
1500667	FORD
1521414	FORD
1672938	FORD
6669779	FORD
7153476	FORD
93BB2M008AA	FORD
93BB2M008AB	FORD
XS712M008AA	FORD
XS712M008AB	FORD
XS712M008AC	FORD
XS712M008AD	FORD
XS712M008AE	FORD
XS7J2M008AA	FORD
XS7J2M008AB	FORD
XS7Z2200AA	MERCURY