

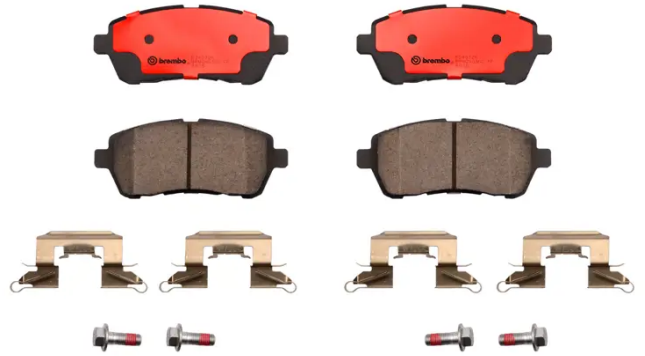


BRAKE PAD PRIME CERAMIC P24072N

The P24072N NAO brake pad is synonymous with reliability

Brembo NAO brake pads stand out for their ultimate braking comfort, reduced friction wear and low dust mission, which makes for cleaner rims and reduced maintenance requirements. The advanced friction material in keeping with the strictest environmental standards is the main distinguishing feature of NAO compounds.

- ✓ OE-equivalent
- ✓ Brembo quality
- ✓ Safety
- ✓ Comfort
- ✓ Durability
- ✓ Dust reduction
- ✓ With accessories



Technical specifications

EAN code
8020584082423

Axle
Front

Thickness
17 mm

Width
126 mm

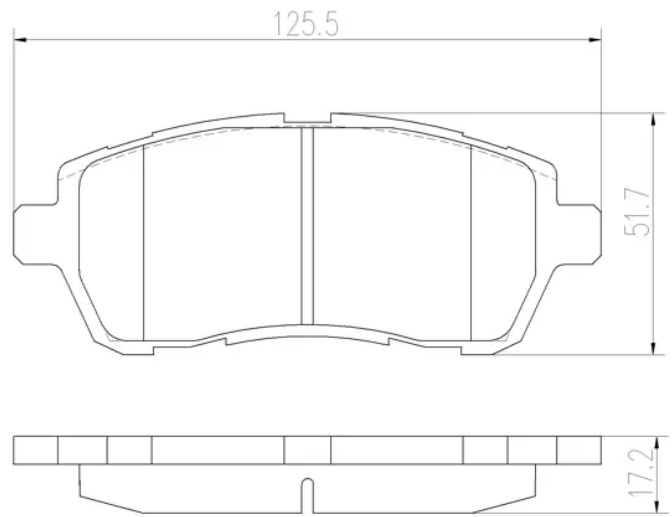
Height
52 mm

Braking system
Lucas

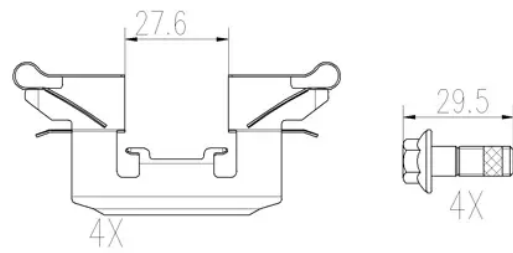
Wear indicator
Without

WVA number
24283

Accessories
With brake caliper bolts
With anti-squeal shim
With accessories



4 PCS/SET



COMPATIBLE VEHICLES

COMPATIBLE OE PART NUMBERS

04465B1310	DAIHATSU
04491B1030	DAIHATSU
04491B1031	DAIHATSU
04491B1032	DAIHATSU
1550219	FORD
1676630	FORD
1719275	FORD
1749322	FORD
1788734	FORD
1848518	FORD
1855307	FORD
8V512K021AA	FORD
8V512K021AB	FORD
8V512K021BA	FORD
8V512K021BB	FORD
8V512K021CA	FORD
AE8Z2001A	FORD
AE8Z2001B	FORD
AE8Z2001C	FORD
MAE8Z2001C	FORD
ME8V5J2K021AA	FORD
8V5Z2001B	FORD ASIA & OCEANIA
8V5Z2001C	FORD ASIA & OCEANIA
DNY03328Z	FORD ASIA & OCEANIA
DNY03328Z	FORD AUSTRALIA
D0YN3328Z	MAZDA
DNY03328Z	MAZDA
5581071L50	SUZUKI
5581071L50000	SUZUKI
04491B1030	TOYOTA
04491B1031	TOYOTA