



# BRAKE PAD NAO P30103N

The P30103N NAO brake pad is synonymous with reliability

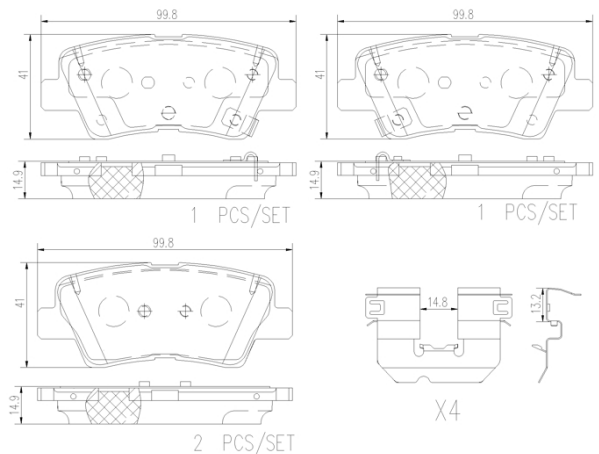
Brembo NAO brake pads stand out for their ultimate braking comfort, reduced friction wear and low dust mission, which makes for cleaner rims and reduced maintenance requirements. The advanced friction material in keeping with the strictest environmental standards is the main distinguishing feature of NAO compounds.

- ✓ OE-equivalent
- ✓ Brembo quality
- ✓ Safety
- ✓ Comfort
- ✓ Durability
- ✓ Dust reduction
- ✓ With accessories



## Technical specifications

EAN code <b>8020584116722</b>	Axle <b>Rear</b>	Thickness <b>15 mm</b>
Width <b>100 mm</b>	Height <b>41 mm</b>	Braking system <b>Akebono</b>
Wear indicator <b>Acoustic</b>	WVA number <b>22656,22657,22655</b>	Accessories <b>With anti-squeal shim</b> <b>With accessories</b>



**COMPATIBLE VEHICLES**

## COMPATIBLE OE PART NUMBERS

1014029389	GEELY
4050008500	GEELY
58302D3A00	HYUNDAI
58302D3A70	HYUNDAI
58302D3A71	HYUNDAI
58302E5A10	HYUNDAI
58302E6A50	HYUNDAI
58302G0A50	HYUNDAI
58302G2A60	HYUNDAI
58302G7A40	HYUNDAI
58302G8A50	HYUNDAI
58302H5A00	HYUNDAI
58302K2A30	HYUNDAI
58302Q0A30	HYUNDAI
58302E5A10	HYUNDAI (BEIJING)
58302O1A20	HYUNDAI (BEIJING)
58302S6A00	HYUNDAI (BEIJING)
58302D7A71	KIA
58302E5A10	KIA
58302F6A50	KIA
58302G2A40	KIA
58302G7A40	KIA
58302H8A00	KIA
58302H8A05	KIA
58302H8A08	KIA
58302K0A00	KIA
58302D6A50	KIA (DYK)
58302E5A10	KIA (DYK)
58302Q8A50	KIA (DYK)
3502130W01	LANDWIND (JMC)
3502140W01	LANDWIND (JMC)