



# BRAKE PAD PRIME CERAMIC P50049N

**The P50049N NAO brake pad is synonymous with reliability**

Brembo NAO brake pads stand out for their ultimate braking comfort, reduced friction wear and low dust mission, which makes for cleaner rims and reduced maintenance requirements. The advanced friction material in keeping with the strictest environmental standards is the main distinguishing feature of NAO compounds.

- ✓ OE-equivalent
- ✓ Brembo quality
- ✓ Safety
- ✓ Comfort
- ✓ Durability
- ✓ Dust reduction
- ✓ With accessories



## Technical specifications

EAN code  
**8020584098486**

Axle  
**Front**

Thickness  
**20 mm**

Width  
**137 mm**

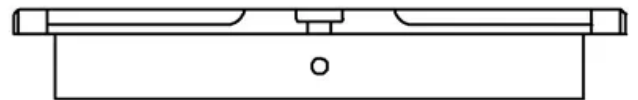
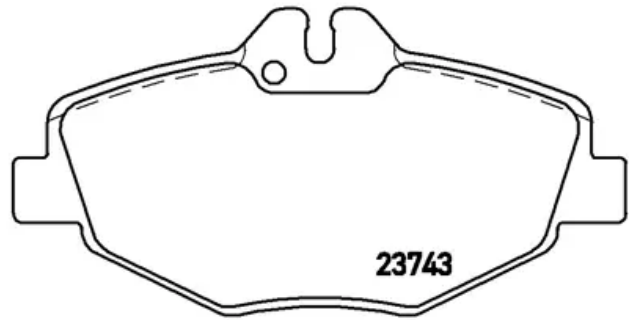
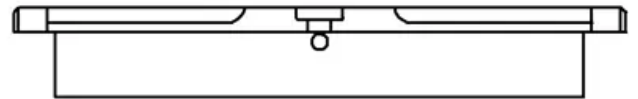
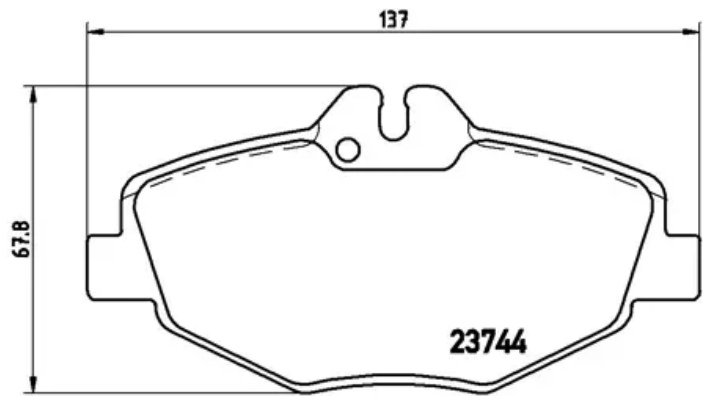
Height  
**68 mm**

Braking system  
**Bosch**

Wear indicator  
**Electric**

WVA number  
**23743,23744**

Accessories  
**With accessories  
With anti-squeal  
shim  
With brake caliper  
bolts**



## COMPATIBLE VEHICLES

## COMPATIBLE OE PART NUMBERS

0034206520	MERCEDES-BENZ
0034209920	MERCEDES-BENZ
0044207920	MERCEDES-BENZ
0044208720	MERCEDES-BENZ
A0034206520	MERCEDES-BENZ
A0034209920	MERCEDES-BENZ
A0044207920	MERCEDES-BENZ
A0044208720	MERCEDES-BENZ