



# BRAKE PAD PRIME CERAMIC P50125N

The P50125N NAO brake pad is synonymous with reliability

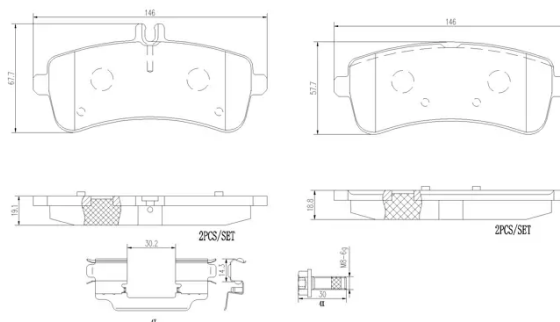
Brembo NAO brake pads stand out for their ultimate braking comfort, reduced friction wear and low dust mission, which makes for cleaner rims and reduced maintenance requirements. The advanced friction material in keeping with the strictest environmental standards is the main distinguishing feature of NAO compounds.

- ✓ OE-equivalent
- ✓ Brembo quality
- ✓ Safety
- ✓ Comfort
- ✓ Durability
- ✓ Dust reduction
- ✓ With accessories



## Technical specifications

EAN code <b>8020584113905</b>	Axle <b>Rear</b>	Thickness <b>19 mm</b>
Width <b>146 mm</b>	Height <b>58 mm</b>	Braking system <b>TRW</b>
Wear indicator <b>Prepared for wear indicator</b>	WVA number <b>25163,25164</b>	Accessories <b>With accessories</b> <b>With anti-squeal shim</b> <b>With brake caliper bolts</b>



COMPATIBLE VEHICLES

## COMPATIBLE OE PART NUMBERS

0004203304 MERCEDES-BENZ

---

0004203904 MERCEDES-BENZ

---

0004204604 MERCEDES-BENZ

---

0004208702 MERCEDES-BENZ

---

0074200220 MERCEDES-BENZ

---

0074200320 MERCEDES-BENZ

---

0074204420 MERCEDES-BENZ

---

0084201120 MERCEDES-BENZ

---

0084202920 MERCEDES-BENZ

---

4203202 MERCEDES-BENZ

---

A0004204604 MERCEDES-BENZ

---

A0074200220 MERCEDES-BENZ

---

A0074200320 MERCEDES-BENZ

---

A0074204420 MERCEDES-BENZ

---

A0084201120 MERCEDES-BENZ

---

A0084202920 MERCEDES-BENZ

---