



BRAKE PAD PRIME CERAMIC P59057N

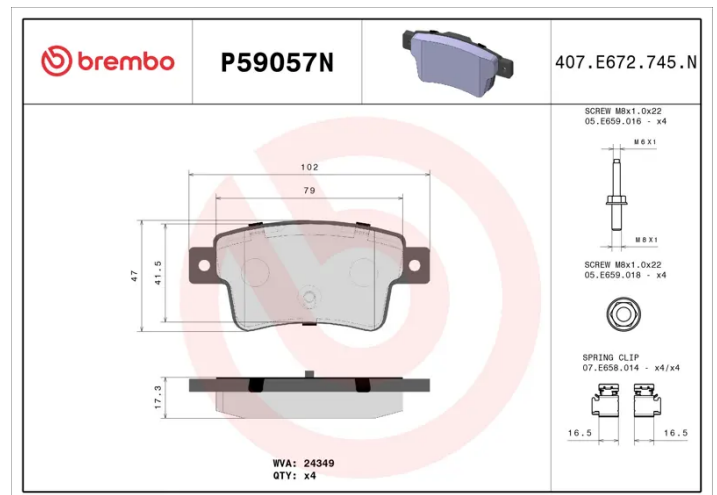
The P59057N NAO brake pad is
synonymous with reliability

Brembo NAO brake pads stand out for their ultimate braking comfort, reduced friction wear and low dust mission, which makes for cleaner rims and reduced maintenance requirements. The advanced friction material in keeping with the strictest environmental standards is the main distinguishing feature of NAO compounds.

- ✓ OE-equivalent
- ✓ Brembo quality
- ✓ Safety
- ✓ Comfort
- ✓ Durability
- ✓ Dust reduction
- ✓ With accessories

Technical specifications

| | | |
|----------------------------------|----------------------------|---|
| EAN code 8020584114001 | Axle Rear | Thickness 18 mm |
| Width 102 mm | Height 47 mm | Braking system Bosch |
| Wear indicator Without | WVA number 24349 | Accessories With accessories With anti-squeal shim With brake caliper bolts |



COMPATIBLE VEHICLES

COMPATIBLE OE PART NUMBERS

| | |
|---------|------|
| 1605230 | FIAT |
|---------|------|

| | |
|----------|------|
| 93169177 | FIAT |
|----------|------|

| | |
|---------|------|
| 1605230 | OPEL |
|---------|------|

| | |
|---------|------|
| 1605356 | OPEL |
|---------|------|

| | |
|----------|------|
| 93169177 | OPEL |
|----------|------|

| | |
|----------|------|
| 93189823 | OPEL |
|----------|------|
