



# BRAKE PAD PRIME CERAMIC P59086N

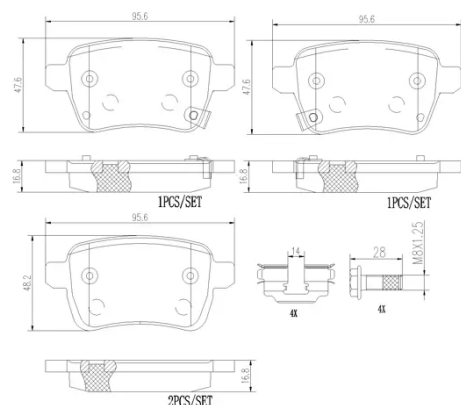
The P59086N NAO brake pad is  
synonymous with reliability

Brembo NAO brake pads stand out for their ultimate braking comfort, reduced friction wear and low dust mission, which makes for cleaner rims and reduced maintenance requirements. The advanced friction material in keeping with the strictest environmental standards is the main distinguishing feature of NAO compounds.

- ✓ OE-equivalent
- ✓ Brembo quality
- ✓ Safety
- ✓ Comfort
- ✓ Durability
- ✓ Dust reduction
- ✓ With accessories

## Technical specifications

EAN code <b>8020584114049</b>	Axle <b>Rear</b>	Thickness <b>17 mm</b>
Width <b>96 mm</b>	Height <b>48 mm</b>	Braking system <b>TRW</b>
Wear indicator <b>Acoustic</b>	WVA number <b>25973,22220,22221</b>	Accessories <b>With accessories</b> <b>With brake caliper bolts</b> <b>With anti-squeal shim</b>



## COMPATIBLE OE PART NUMBERS

1605285	OPEL
---------	------

---

95517078	OPEL
----------	------

---

95524971	OPEL
----------	------

---

1605285	VAUXHALL
---------	----------

---

95517078	VAUXHALL
----------	----------

---

95524971	VAUXHALL
----------	----------

---