



BRAKE PAD NAO P65040N

The P65040N NAO brake pad is synonymous with reliability


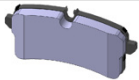
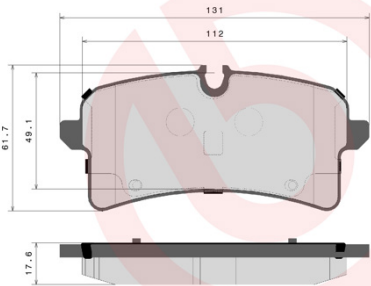

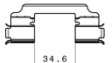
Brembo NAO brake pads stand out for their ultimate braking comfort, reduced friction wear and low dust mission, which makes for cleaner rims and reduced maintenance requirements. The advanced friction material in keeping with the strictest environmental standards is the main distinguishing feature of NAO compounds.

- ✓ OE-equivalent
- ✓ Brembo quality
- ✓ Safety
- ✓ Comfort
- ✓ Durability
- ✓ Dust reduction
- ✓ With accessories



Technical specifications

EAN code 8020584068311	Axle Rear	Thickness 18 mm
Width 131 mm	Height 62 mm	Braking system TRW
Wear indicator Prepared for wear indicator	WVA number 25642	Accessories With accessories With anti-squeal shim With brake caliper bolts

	P65040N		407.E672.351.N
		<small>SCREW M8x1.25x21 05.E659.000 - x4</small>  <small>CLIP SPRING 07.E658.035 - x4</small> 	
<small>WVA: 25642 QTY: x4</small>			
<small>DATE : 14/12/2023 VERSION : 00</small>			

COMPATIBLE VEHICLES

COMPATIBLE OE PART NUMBERS

95B698451	PORSCHE
-----------	---------

95B698451A	PORSCHE
------------	---------

95B698451B	PORSCHE
------------	---------

95B698451F	PORSCHE
------------	---------

95B698451G	PORSCHE
------------	---------

95B698451J	PORSCHE
------------	---------

95B698451L	PORSCHE
------------	---------