



BRAKE PAD PRIME CERAMIC P83145N

The P83145N NAO brake pad is
synonymous with reliability

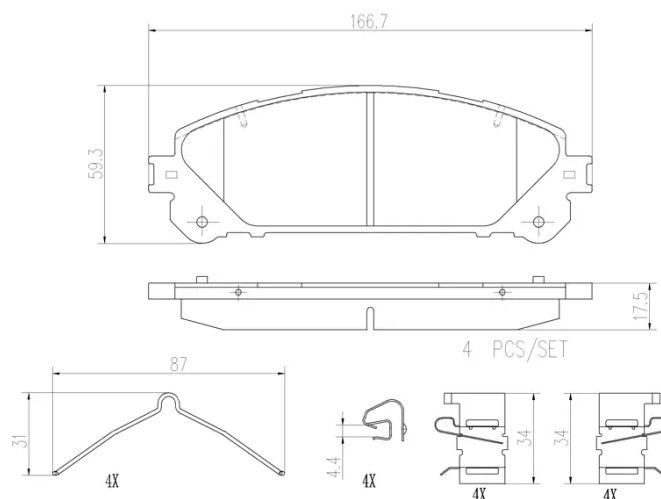
Brembo NAO brake pads stand out for their ultimate braking comfort, reduced friction wear and low dust mission, which makes for cleaner rims and reduced maintenance requirements. The advanced friction material in keeping with the strictest environmental standards is the main distinguishing feature of NAO compounds.

- ✓ OE-equivalent
- ✓ Brembo quality
- ✓ Safety
- ✓ Comfort
- ✓ Durability
- ✓ Dust reduction
- ✓ With accessories



Technical specifications

EAN code 8020584085059	Axle Front	Thickness 18 mm
Width 167 mm	Height 59 mm	Braking system Advics
Wear indicator Without	WVA number 24452	Accessories With anti-squeal shim



COMPATIBLE VEHICLES

COMPATIBLE OE PART NUMBERS

0446502500	LEXUS
044650E010	LEXUS
044650E040	LEXUS
0446548150	LEXUS
044654815079	LEXUS
0446548160	LEXUS
0446548170	LEXUS
0446548180	LEXUS
0446548190	LEXUS
0446548210	LEXUS
0446548220	LEXUS
0446578010	LEXUS
044657801079	LEXUS
4465000000	LEXUS
0446502560	TOYOTA
044650E020	TOYOTA
044650E030	TOYOTA
044650W210	TOYOTA
0446533490	TOYOTA
0446533500	TOYOTA
0446548150	TOYOTA
0446548230	TOYOTA
0446578020	TOYOTA
04465WY020	TOYOTA
044650E020	TOYOTA (GAC)