



BRAKE PAD

P 23 072

The P 23 072 brake pad is synonymous with reliability



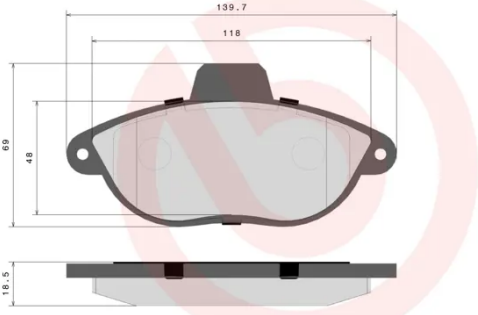
The Brembo brake pad guarantees ultimate safety when braking thanks to the use of more than 100 different compounds, designed according to the type of vehicle and use. Stopping distances reduced to a minimum, maximum driving comfort and silent operation are the most important features of Brembo materials. Brembo brake pads are supplied together with an extensive range of accessories and assembly kits for professional-standard installation.

- ✓ OE-equivalent
- ✓ Brembo quality
- ✓ ECE-R90 certificate
- ✓ Safety
- ✓ Performance
- ✓ Comfort



Technical specifications

EAN code 8020584051429	Axle Front	Thickness 19 mm
Width 140 mm	Height 69 mm	Braking system Bendix
Wear indicator Electric	WVA number 23042	Accessories With anti-squeal shim

	P 23 072		407.E672.574
			ELECTRIC WEAR INDICATOR 07.E654.048 - X2 282.2
WVA: 23042 QTY: X4			
<small>DATE : 09/09/2022 VERSION : 00</small>			

COMPATIBLE VEHICLES

COMPATIBLE OE PART NUMBERS

9404251518 ALFA ROMEO

1617250580 CITROËN

425125 CITROËN

425126 CITROËN

425150 CITROËN

425151 CITROËN

425454 CITROËN

E172050 CITROËN

71711135 FIAT

71770132 FIAT

71770986 FIAT

77362238 FIAT

77365928 FIAT

795915 FIAT

9404251258 FIAT

1617250580 PEUGEOT

425125 PEUGEOT

425126 PEUGEOT

425150 PEUGEOT

425151 PEUGEOT

425454 PEUGEOT

E172050 PEUGEOT
