



BRAKE PAD

P 28 039

The P 28 039 brake pad is synonymous with reliability

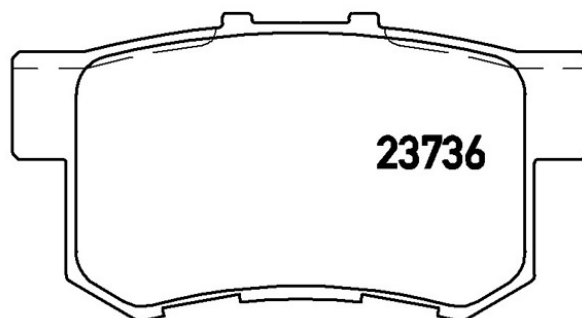
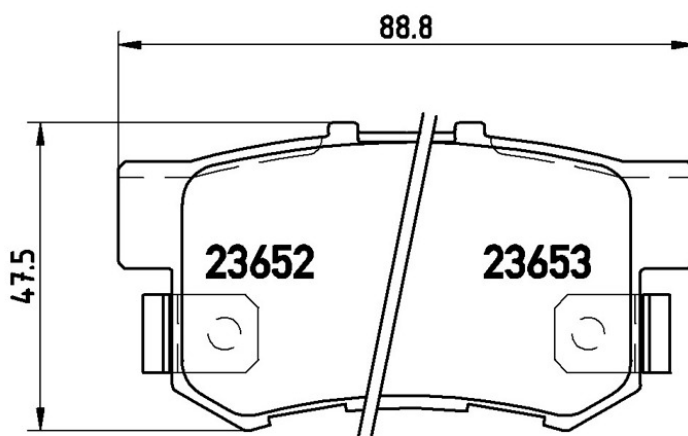
The Brembo brake pad guarantees ultimate safety when braking thanks to the use of more than 100 different compounds, designed according to the type of vehicle and use. Stopping distances reduced to a minimum, maximum driving comfort and silent operation are the most important features of Brembo materials. Brembo brake pads are supplied together with an extensive range of accessories and assembly kits for professional-standard installation.



- ✓ OE-equivalent
- ✓ Brembo quality
- ✓ ECE-R90 certificate
- ✓ Safety
- ✓ Performance
- ✓ Comfort

Technical specifications

EAN code	Axle	Thickness
8020584059753	Rear	15 mm
Width	Height	Braking system
89 mm	48 mm	Nissin
Wear indicator	WVA number	
Acoustic	23736,23653,23652	



COMPATIBLE VEHICLES

COMPATIBLE OE PART NUMBERS

43022S9AA01 ACURA

43022SEPA00 ACURA

43022SEPA01 ACURA

43022SEPC00 ACURA

43022SEPC01 ACURA

43022STKA00 ACURA

43022STKA01 ACURA

43022STKA02 ACURA

43022SZ3A02 ACURA

4586005 AEOLUS

3502315AKZ16A GREAT WALL

3502315XKZ16A GREAT WALL

3502315AKZ16A HAVAL

3502315XKZ16A HAVAL

06430S6D000 HONDA

06430S9AA00 HONDA

06430SEDE60 HONDA

43022S00000 HONDA

43022S3N000 HONDA

43022S3N010 HONDA

43022S3NE50 HONDA

43022S6D000 HONDA

43022S6DE50 HONDA

43022S6DE51 HONDA

43022S7S010 HONDA

43022S9AA00 HONDA

43022S9AE51 HONDA

43022S9AE52 HONDA

43022SCVA01 HONDA

43022SDMA00 HONDA

43022SEDE60 HONDA

43022SEPA00 HONDA

43022SJFE00 HONDA

43022SP0000 HONDA

43022SP0010 HONDA

43022SP0020 HONDA

43022SP0030 HONDA

43022SV4G00 HONDA

43022SX0A50 HONDA

43022SX0A51 HONDA

43022SX0A52 HONDA

43022SZ3A00 HONDA

43022SZ3A01 HONDA

43022SZ3A02 HONDA

H43022S3N003 HONDA

H4302575003	HONDA
H43025Z3003	HONDA
NBKD6291EF	HONDA
43022T56H00	HONDA (DONGFENG)
5862029840	ISUZU
5862070780	ISUZU
5862072040	ISUZU
5862075190	ISUZU