



# BRAKE PAD

## P 48 002

The P 48 002 brake pad is synonymous with reliability

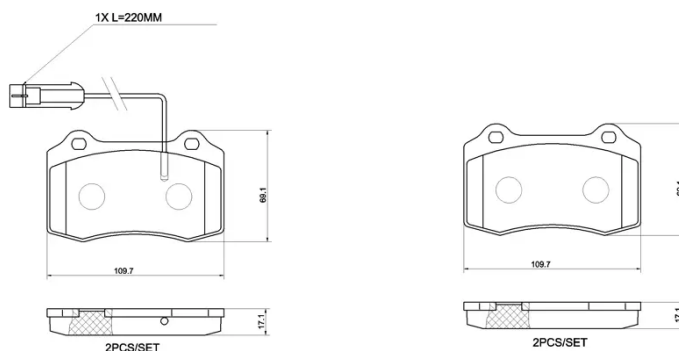
The Brembo brake pad guarantees ultimate safety when braking thanks to the use of more than 100 different compounds, designed according to the type of vehicle and use. Stopping distances reduced to a minimum, maximum driving comfort and silent operation are the most important features of Brembo materials. Brembo brake pads are supplied together with an extensive range of accessories and assembly kits for professional-standard installation.

- ✓ OE-equivalent
- ✓ Brembo quality
- ✓ ECE-R90 certificate
- ✓ Safety
- ✓ Performance
- ✓ Comfort



### Technical specifications

EAN code	Axle	Thickness
8020584126318	Rear	17 mm
Width	Height	
110 mm	69 mm	
Wear indicator	Accessories	
Electric	With anti-squeal shim	



COMPATIBLE VEHICLES

### COMPATIBLE OE PART NUMBERS

980156007

MASERATI