



BRAKE PAD

P 50 126G

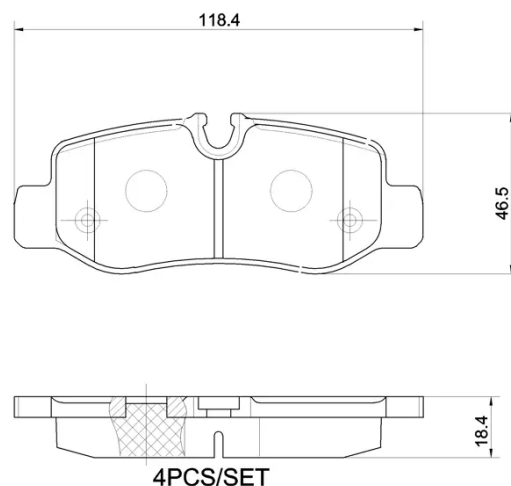
The P 50 126G brake pad is synonymous with reliability

The Brembo brake pad guarantees ultimate safety when braking thanks to the use of more than 100 different compounds, designed according to the type of vehicle and use. Stopping distances reduced to a minimum, maximum driving comfort and silent operation are the most important features of Brembo materials. Brembo brake pads are supplied together with an extensive range of accessories and assembly kits for professional-standard installation.

- ✓ OE-equivalent
- ✓ Brembo quality
- ✓ ECE-R90 certificate
- ✓ Safety
- ✓ Performance
- ✓ Comfort

Technical specifications

EAN code	Axle	Thickness
8020584124994	Rear	18 mm
Width	Height	Braking system
119 mm	46 mm	Brembo
Wear indicator	WVA number	Accessories
Prepared for wear indicator	22101	With anti-squeal shim



COMPATIBLE VEHICLES

COMPATIBLE OE PART NUMBERS

4474200120	MERCEDES-BENZ
4474200320	MERCEDES-BENZ
A4474200120	MERCEDES-BENZ
A447420012028	MERCEDES-BENZ
A4474200320	MERCEDES-BENZ
4474206700	MERCEDES-BENZ (FJDA)
A4474206700	MERCEDES-BENZ (FJDA)