



BRAKE PAD

P 50 163

The P 50 163 brake pad is synonymous with reliability

The Brembo brake pad guarantees ultimate safety when braking thanks to the use of more than 100 different compounds, designed according to the type of vehicle and use. Stopping distances reduced to a minimum, maximum driving comfort and silent operation are the most important features of Brembo materials. Brembo brake pads are supplied together with an extensive range of accessories and assembly kits for professional-standard installation.

- ✓ OE-equivalent
- ✓ Brembo quality
- ✓ ECE-R90 certificate
- ✓ Safety
- ✓ Performance
- ✓ Comfort



Technical specifications

EAN code
8020584118221

Axle
Front

Thickness
16 mm

Width
178 mm

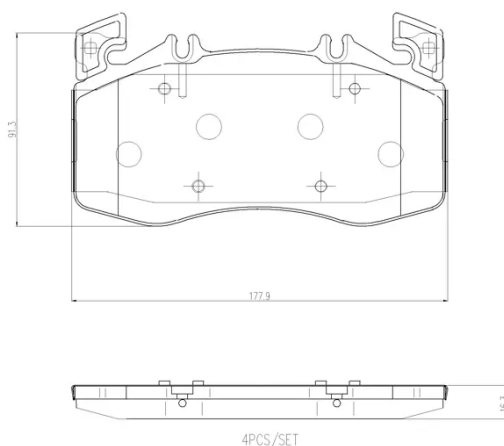
Height
91 mm

Braking system
Brembo

Wear indicator
Prepared for wear indicator

WVA number
26128

Accessories
**With anti-squeal shim
With counterweights**



COMPATIBLE VEHICLES

COMPATIBLE OE PART NUMBERS

0004202203	MERCEDES-BENZ
------------	---------------

0004202306	MERCEDES-BENZ
------------	---------------

0004203604	MERCEDES-BENZ
------------	---------------

0004209802	MERCEDES-BENZ
------------	---------------

A0004202203	MERCEDES-BENZ
-------------	---------------

A0004202306	MERCEDES-BENZ
-------------	---------------

A0004202706	MERCEDES-BENZ
-------------	---------------

A0004203604	MERCEDES-BENZ
-------------	---------------

A0004209802	MERCEDES-BENZ
-------------	---------------