



BRAKE PAD

P 59 083

The P 59 083 brake pad is synonymous with reliability

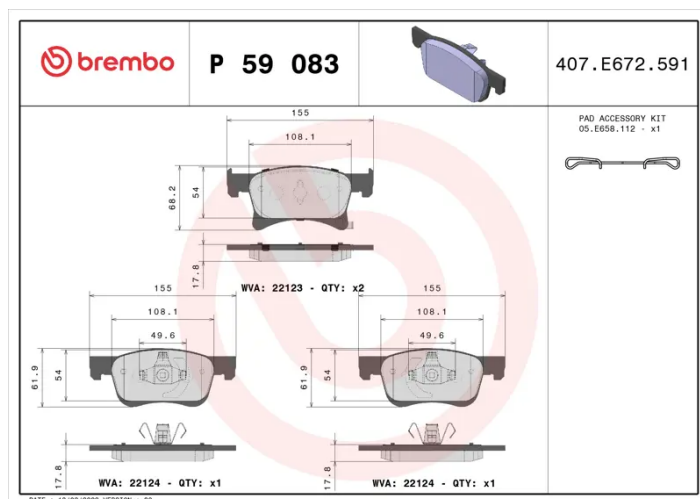
The Brembo brake pad guarantees ultimate safety when braking thanks to the use of more than 100 different compounds, designed according to the type of vehicle and use. Stopping distances reduced to a minimum, maximum driving comfort and silent operation are the most important features of Brembo materials. Brembo brake pads are supplied together with an extensive range of accessories and assembly kits for professional-standard installation.

- ✓ OE-equivalent
- ✓ Brembo quality
- ✓ ECE-R90 certificate
- ✓ Safety
- ✓ Performance
- ✓ Comfort
- ✓ With accessories



Technical specifications

EAN code 8020584080986	Axle Front	Thickness 18 mm
Width 155 mm	Height 62 mm	Braking system Teves
Wear indicator Acoustic	WVA number 22123,22124	Accessories With accessories With anti-squeal shim With piston clip



COMPATIBLE VEHICLES

COMPATIBLE OE PART NUMBERS

1605281	OPEL
---------	------

39122150	OPEL
----------	------

95517029	OPEL
----------	------

95524973	OPEL
----------	------

1605281	VAUXHALL
---------	----------

39122150	VAUXHALL
----------	----------

95517029	VAUXHALL
----------	----------
