



BRAKE PAD

P 61 102

The P 61 102 brake pad is synonymous with reliability

The Brembo brake pad guarantees ultimate safety when braking thanks to the use of more than 100 different compounds, designed according to the type of vehicle and use. Stopping distances reduced to a minimum, maximum driving comfort and silent operation are the most important features of Brembo materials. Brembo brake pads are supplied together with an extensive range of accessories and assembly kits for professional-standard installation.

- ✓ OE-equivalent
- ✓ Brembo quality
- ✓ ECE-R90 certificate
- ✓ Safety
- ✓ Performance
- ✓ Comfort
- ✓ With accessories



Technical specifications

EAN code
8020584061800

Axle
Front

Thickness
18 mm

Width
169 mm

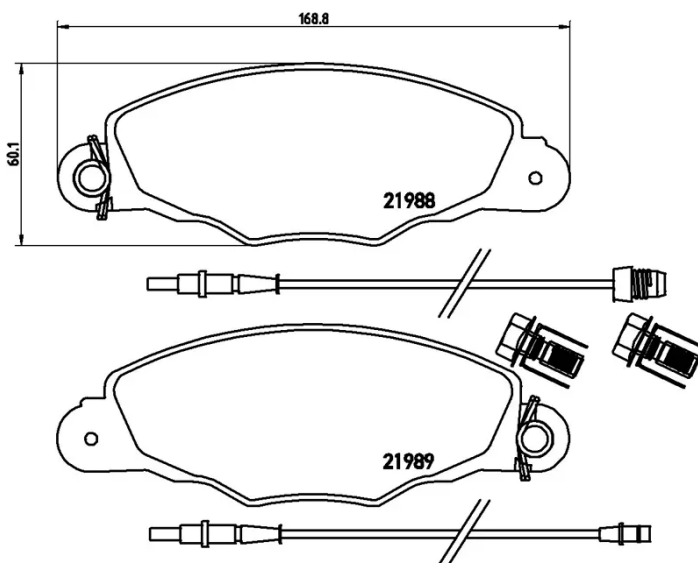
Height
60 mm

Braking system
Bosch

Wear indicator
Electric

WVA number
21988,21989

Accessories
With anti-squeal shim
With brake caliper bolts
With accessories



COMPATIBLE VEHICLES

COMPATIBLE OE PART NUMBERS

425184	CITROËN
--------	---------

E172299	CITROËN
---------	---------

425184	PEUGEOT
--------	---------

E172299	PEUGEOT
---------	---------
