

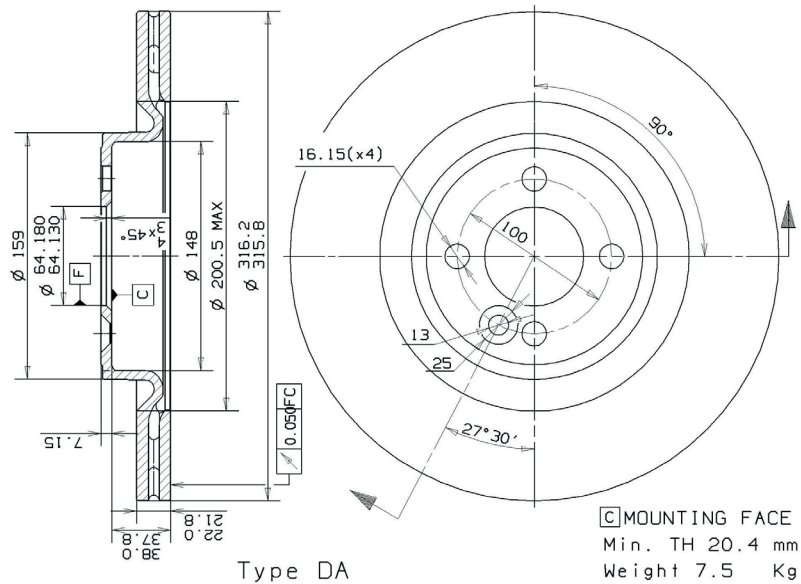
09.A506.10 / 11 SUPERSEDED BY 09.B754.11

The references **09.A506.10** and **09.A506.11** are replaced by **09.B754.11** according to the original equipment by modifying the ventilation chamber (new pillars).

The **OES MINI** corresponding to new Brembo reference are:

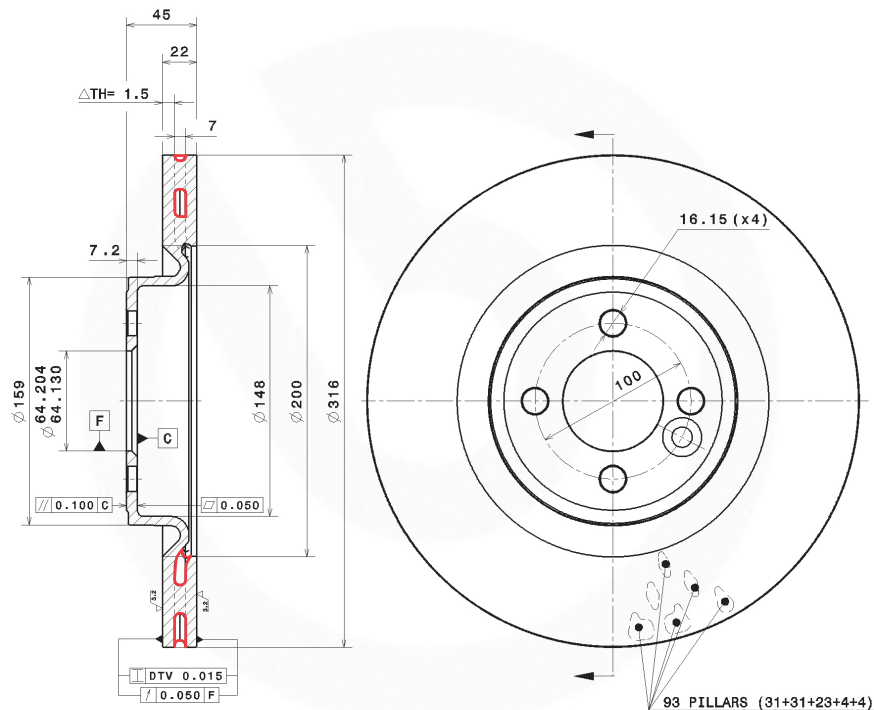
34106784366 - 34116784366 - 34116855781

09.A506.10 / 11



BS 8827 / BV 8827
25217 / 25217 V

09.B754.11



BV 9041
25431 V