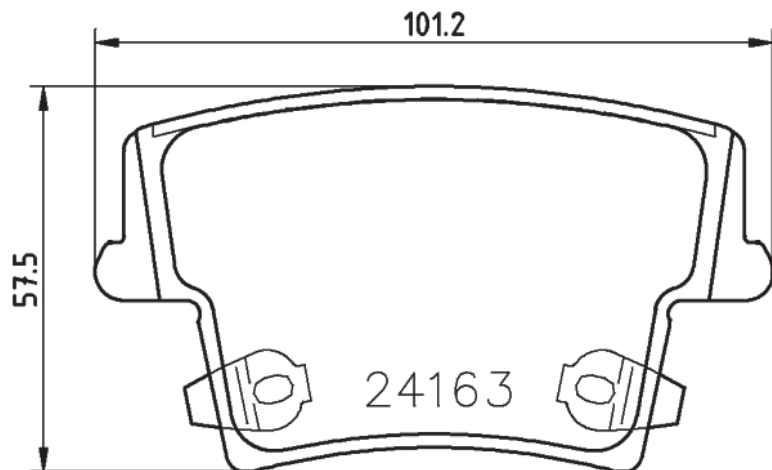


P 11 018 SUPERSEDED BY P 23 175

Aiming to provide the customers with the best offer, Brembo replaced the part number **P 11 018** with the new reference in range **P 23 175**, that includes four sliding shims.

P 11 018



P 23 175

