

09.9362.14/.11 SUPERSEDED BY 09.C893.11

NEW PVT PLUS VENTILATION

Lightweight construction, increased resistance to thermal cracking and less wear on the brake pads: these are the benefits of the new ventilation chamber for brake discs.

The new PVT Plus ventilation, the result of two years' research in Brembo's special division at "Kilometro Rosso", is adapted to the specific requirements of each individual braking system.

On **PVT Plus**, the pillars have a more elongated form than on previous models. In this way the thermal cracking resistance increases up to 30%, ensuring a longer life for the disc.

Similarly, the improvement in the air flow results in a reduction of the operating temperature by up to 30%, which in turn means a longer life for the brake pads.

This new kind of ventilation may also result in a **reduction of the mass of the disc by up to 10%**, thanks to which both fuel consumption and emissions of pollutants are lowered. Besides the lighter weight of the unsprung masses, this leads to an **increase in performance, comfort and handling**.

In case of discs with oriented ventilation (right and left) the new PVT Plus ventilation allows the replacement of both discs with a single operation, thus ensuring an improvement in performance as well as greater simplicity in fitting and managing spare parts.

PVT Plus is initially proposed for Premium saloon cars and high performance sports cars, which use braking systems of large dimensions, ideal for making the most of the benefits of PVT Plus.

With PVT Plus Brembo is now presenting a new **evolution** in the ventilation of brake discs, for an all-round improvement in safety.

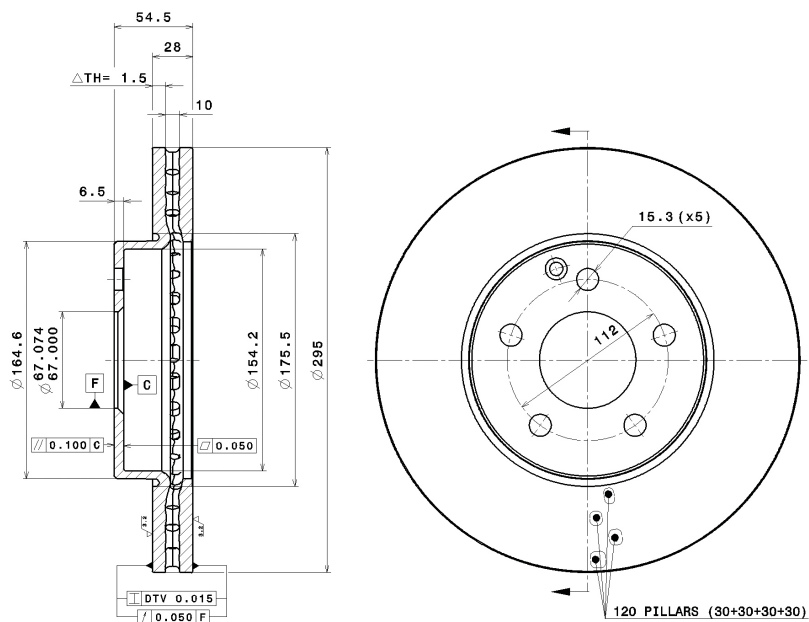


09.9362.14/.11 SUPERSEDED BY 09.C893.11

The references **09.9362.14/.11** are replaced by **09.C893.11** by modifying the ventilation chamber.

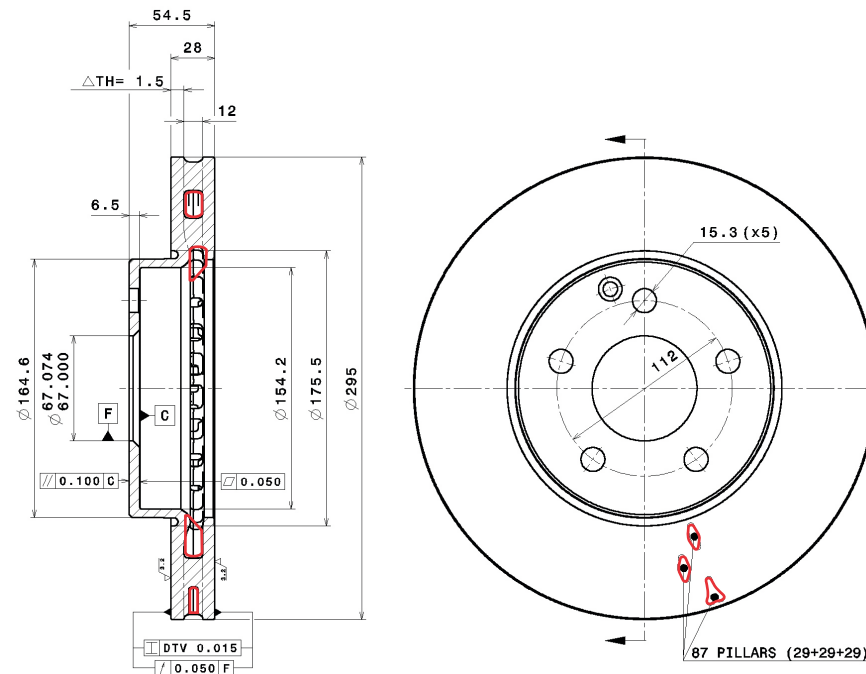
The **OES MERCEDES-BENZ** corresponding to new Brembo reference are:
2114210712, 2114210812, A2114210712, A2114210812.

09.9362.14/.11



Breco references:
BS 8502 / BV 8502
AP references:
24897 E / 24897 V

09.C893.11



Breco references:
BV 9198
AP references:
25588 V