



BRAKE DISC

08.7354.10

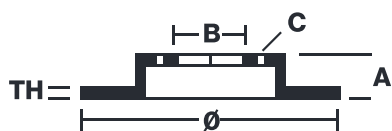
The **08.7354.10** brake disc is synonymous with reliability

The Brembo brake disc is fully interchangeable with an Original Equipment brake disc. The control of the entire production cycle allows Brembo to offer brake discs with outstanding performance levels, reliability, durability and comfort in all conditions of use. All Brembo brake discs are accompanied by the ECE-R90 homologation.

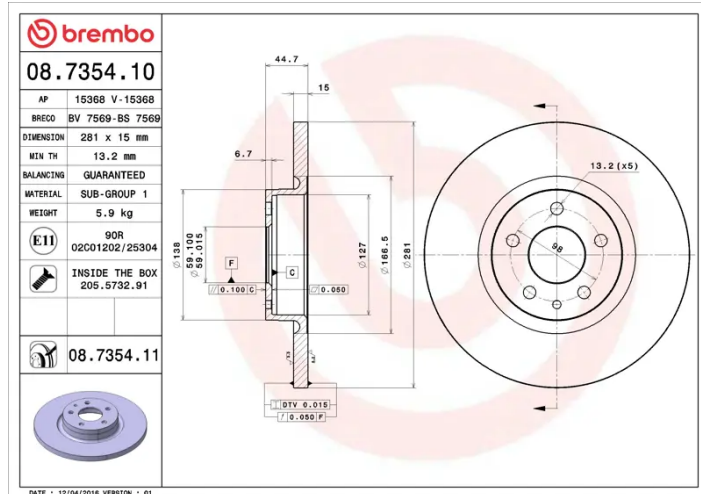
- ✓ OE-equivalent
- ✓ Brembo quality
- ✓ ECE-R90 certificate
- ✓ Safety
- ✓ Fastening screws



Technical specifications



| | | |
|-----------------------------------|-------------------------------|----------------------------------|
| EAN code 8020584735411 | Axle Front | Diameter Ø 281 mm |
| Thickness (TH) 15 mm | Height (A) 45 mm | Number of holes (C) 5 |
| Brake disc type Solid | Centering (B) 59 mm | Min. thickness 13,2 mm |
| Tightening torque 98 Nm | | |



COMPATIBLE VEHICLES

COMPATIBLE OE PART NUMBERS

6001073197 ALFA ROMEO

60617106 ALFA ROMEO

60653487 ALFA ROMEO

60658567 ALFA ROMEO

71739641 ALFA ROMEO

71770921 ALFA ROMEO

71772247 ALFA ROMEO
