



BRAKE DISC MAX

08.C501.75

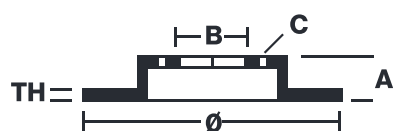
The 08.C501.75 Max brake disc is synonymous with reliability

The Brembo Max brake disc features grooves on the braking surface. The special shape of the grooves generates greater fading resistance and constant renewal of friction material, quickly restoring optimum braking conditions. The UV paint completes the sporty look.

- ✓ Brembo quality
- ✓ ECE-R90 certificate
- ✓ Performance
- ✓ Sports driving
- ✓ Sporty look
- ✓ Anti-corrosion
- ✓ Fastening screws



Technical specifications



EAN code
8020584319734

Axle
Rear

Diameter Ø
300 mm

Thickness (TH)
12 mm

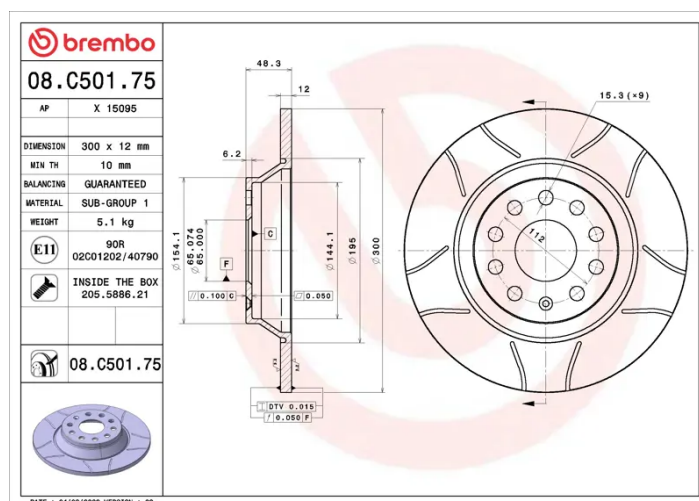
Height (A)
48,3 mm

Number of holes (C)
9

Brake disc type
Solid

Centering (B)
65 mm

Min. thickness
10 mm



COMPATIBLE VEHICLES

COMPATIBLE OE PART NUMBERS

3Q0615601	AUDI
-----------	------

3Q0615601A	AUDI
------------	------

L3QD615601	AUDI (FAW)
------------	------------

3Q0615601	SEAT
-----------	------

3Q0615601A	SEAT
------------	------

3Q0615601	SKODA
-----------	-------

3Q0615601A	SKODA
------------	-------

3QD615601	SKODA (SVW)
-----------	-------------

3Q0615601	VW
-----------	----

3Q0615601A	VW
------------	----

JZW698601BB	VW
-------------	----

3Q0615601	VW (FAW)
-----------	----------

3Q0615601A	VW (FAW)
------------	----------

L3QD615601	VW (FAW)
------------	----------

3QD615601	VW (SVW)
-----------	----------