



BRAKE DISC

09.A532.20

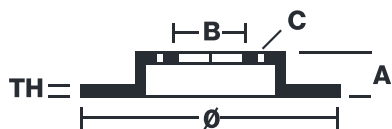
The **09.A532.20** brake disc is synonymous with reliability

The Brembo brake disc is fully interchangeable with an Original Equipment brake disc. The control of the entire production cycle allows Brembo to offer brake discs with outstanding performance levels, reliability, durability and comfort in all conditions of use. All Brembo brake discs are accompanied by the ECE-R90 homologation.

- ✓ OE-equivalent
- ✓ Brembo quality
- ✓ ECE-R90 certificate
- ✓ Safety
- ✓ Fastening screws



Technical specifications



EAN code
8020584028506

Axle
Front

Diameter Ø
300 mm

Thickness (TH)
28 mm

Height (A)
47 mm

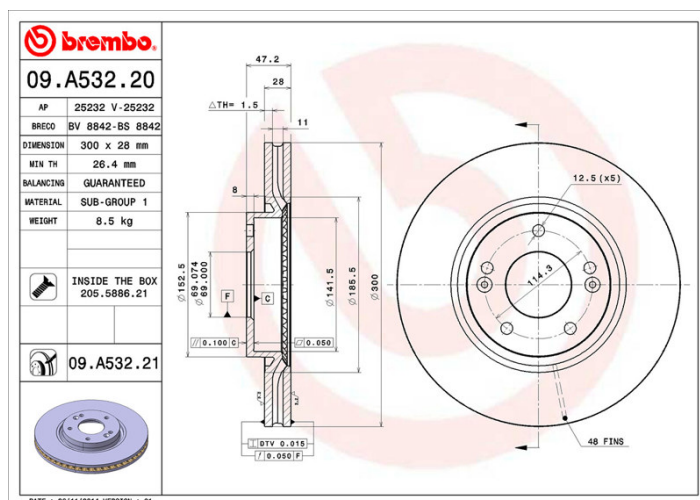
Number of holes (C)
5

Brake disc type
Ventilated

Centering (B)
69 mm

Min. thickness
26,4 mm

Tightening torque
100 Nm



COMPATIBLE OE PART NUMBERS

517121M500	HYUNDAI
517122L500	HYUNDAI
517121M500	HYUNDAI (BEIJING)
517121M500	KIA
517122L500	KIA
5517122L500	KIA
517121M500	KIA (DYK)
517121M500	NAZA