



BRAKE DISC

09.A972.10

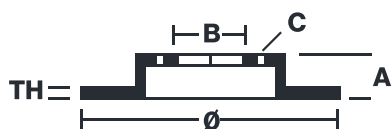
The **09.A972.10** brake disc is synonymous with reliability

The Brembo brake disc is fully interchangeable with an Original Equipment brake disc. The control of the entire production cycle allows Brembo to offer brake discs with outstanding performance levels, reliability, durability and comfort in all conditions of use. All Brembo brake discs are accompanied by the ECE-R90 homologation.

- ✓ OE-equivalent
- ✓ Brembo quality
- ✓ ECE-R90 certificate
- ✓ Safety
- ✓ Fastening screws



Technical specifications



EAN code
8020584025871

Axle
Rear

Diameter Ø
315 mm

Thickness (TH)
23 mm

Height (A)
48 mm

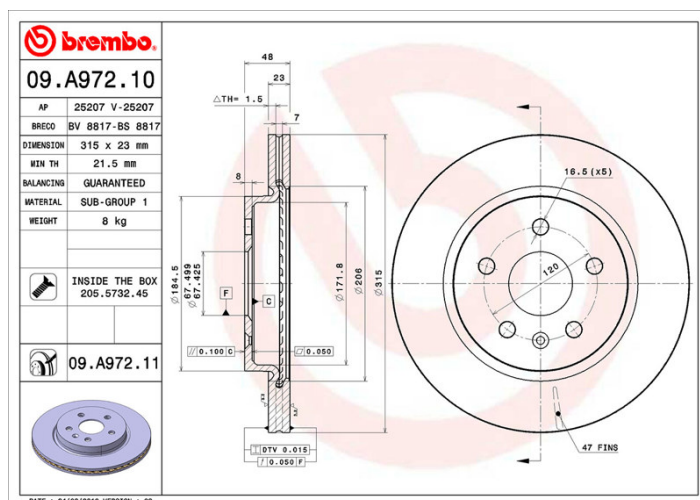
Number of holes (C)
5

Brake disc type
Ventilated

Centering (B)
67 mm

Min. thickness
21,5 mm

Tightening torque
150 Nm



COMPATIBLE VEHICLES

COMPATIBLE OE PART NUMBERS

23118534	BUICK
13501290	BUICK (SGM)
13501303	BUICK (SGM)
13501314	BUICK (SGM)
13501290	CADILLAC
13592623	CADILLAC
23118534	CADILLAC
13501290	CADILLAC (SGM)
13592623	CADILLAC (SGM)
13501314	CHEVROLET
13592623	CHEVROLET
23118534	CHEVROLET
13501314	CHEVROLET (SGM)
13501303	OPEL
13502199	OPEL
569062	OPEL
569128	OPEL
13501314	ROEWE (SAIC)
13502199	SAAB
13501303	VAUXHALL
13502199	VAUXHALL