



BRAKE DISC LIGHTWEIGHT

09.D549.23

LightWeight brake disc 09.D549.23 belongs to Brembo Premium Line

The LightWeight brake disc solution is characterised by a high-carbon cast iron braking surface connected by pressure to the steel hat. It is up to 15% lighter than an equivalent integral disc. As a result, it significantly improves the road behaviour of the vehicle and reduces fuel consumption and emissions as well.

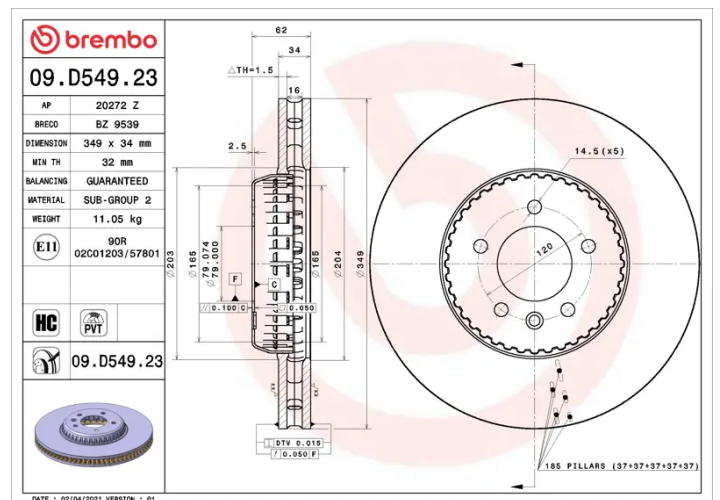


- ✓ OE-equivalent
- ✓ Brembo quality
- ✓ ECE-R90 certificate
- ✓ Weight reduction
- ✓ High carbon
- ✓ Bi-Material Brake Disc
- ✓ Anti-corrosion
- ✓ Fading resistance

Technical specifications



| | | |
|--------------------------------------|-------------------------------|---------------------------------|
| EAN code 8020584316016 | Axle Front | Diameter Ø 349 mm |
| Thickness (TH) 34 mm | Height (A) 62 mm | Number of holes (C) 5 |
| Brake disc type Ventilated | Centering (B) 79 mm | Min. thickness 32 mm |



COMPATIBLE VEHICLES

COMPATIBLE OE PART NUMBERS

| | |
|----------|------------|
| LR132808 | LAND ROVER |
|----------|------------|

| | |
|----------|------------|
| LR161895 | LAND ROVER |
|----------|------------|

| | |
|----------|------------|
| LR187240 | LAND ROVER |
|----------|------------|
