



BRAKE DISC PAINTED

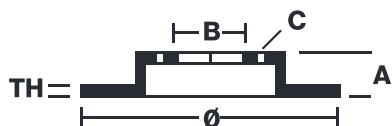
09.D705.11

The 09.D705.11 painted brake disc is synonymous with reliability

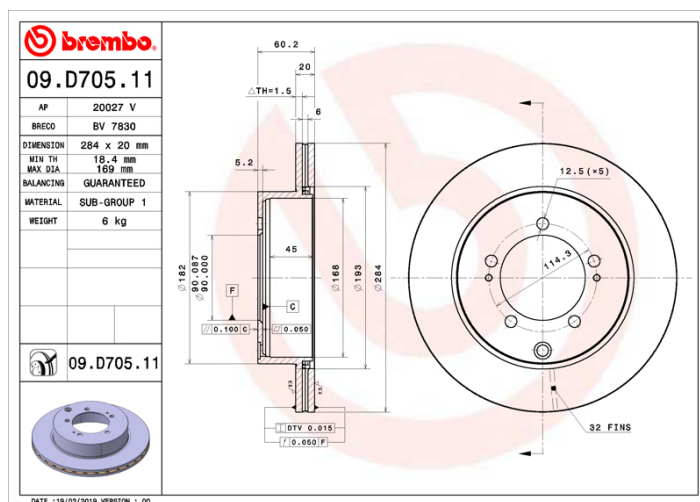
The Brembo brake disc with special UV paint treatment guarantees superior corrosion resistance for the product, thanks to the protective coating on the outer edges and on the disc hub. The UV paint not only gives the disc a clean, shiny appearance but is also beneficial for the environment as the water-based UV paint treatment does not require the use of chemical solvents and is a low energy consumption process.

- ✓ OE-equivalent
- ✓ Brembo quality
- ✓ ECE-R90 certificate
- ✓ Safety
- ✓ Anti-corrosion

Technical specifications



EAN code	Axle	Diameter Ø
8020584236390	Rear	284 mm
Thickness (TH)	Height (A)	Number of holes (C)
20 mm	60 mm	5
Brake disc type	Centering (B)	Min. thickness
Ventilated	90 mm	18,4 mm



COMPATIBLE VEHICLES

COMPATIBLE OE PART NUMBERS

MB895202	MITSUBISHI
MR128661	MITSUBISHI