



# BRAKE PAD NAO P06068N

The P06068N NAO brake pad is synonymous with reliability

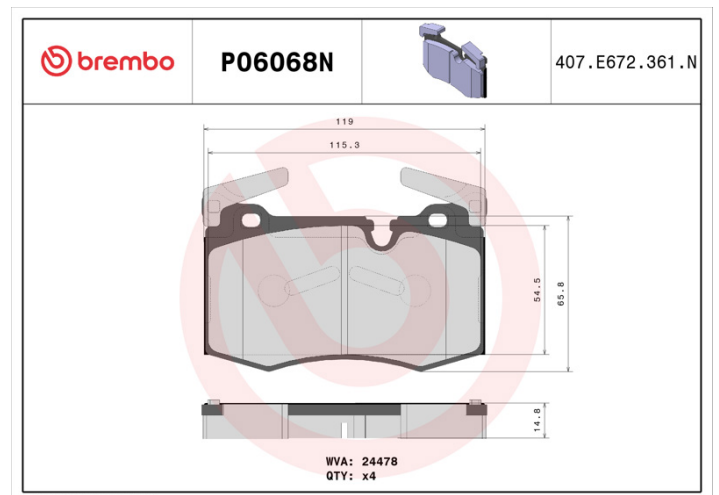
Brembo NAO brake pads stand out for their ultimate braking comfort, reduced friction wear and low dust mission, which makes for cleaner rims and reduced maintenance requirements. The advanced friction material in keeping with the strictest environmental standards is the main distinguishing feature of NAO compounds.

- ✓ OE-equivalent
- ✓ Brembo quality
- ✓ Safety
- ✓ Comfort
- ✓ Durability
- ✓ Dust reduction
- ✓ With accessories



## Technical specifications

EAN code <b>8020584083406</b>	Axle <b>Front</b>	Thickness <b>15 mm</b>
Width <b>121 mm</b>	Height <b>76 mm</b>	Braking system <b>Brembo</b>
Wear indicator <b>Prepared for wear indicator</b>	WVA number <b>24478</b>	Accessories <b>With anti-squeal shim</b>



COMPATIBLE VEHICLES

## COMPATIBLE OE PART NUMBERS

34116789157	BMW
-------------	-----

---

34116778719	MINI
-------------	------

---

34116784726	MINI
-------------	------

---

34116789157	MINI
-------------	------

---

6778719	MINI
---------	------

---

6784726	MINI
---------	------

---