

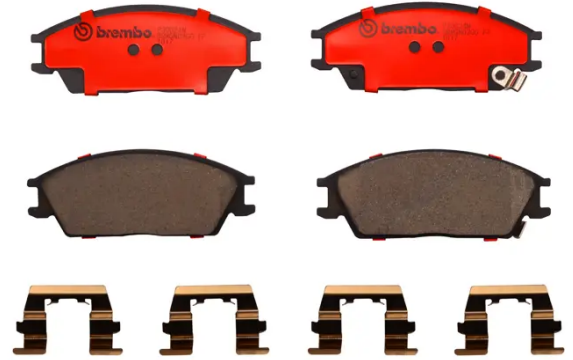


BRAKE PAD PRIME CERAMIC P30024N

The P30024N NAO brake pad is synonymous with reliability

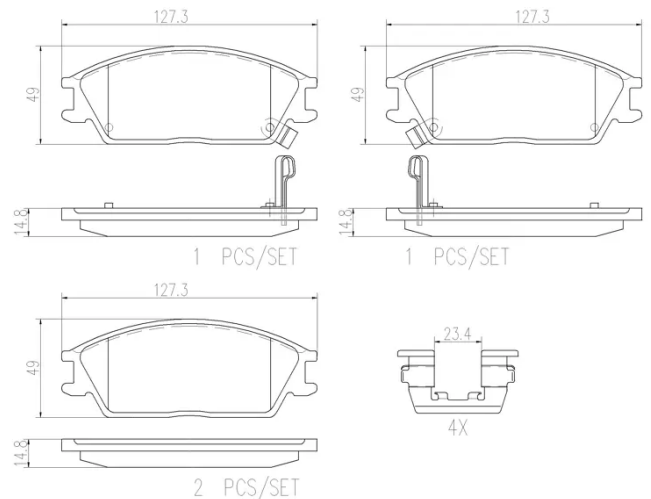
Brembo NAO brake pads stand out for their ultimate braking comfort, reduced friction wear and low dust mission, which makes for cleaner rims and reduced maintenance requirements. The advanced friction material in keeping with the strictest environmental standards is the main distinguishing feature of NAO compounds.

- ✓ OE-equivalent
- ✓ Brembo quality
- ✓ Safety
- ✓ Comfort
- ✓ Durability
- ✓ Dust reduction
- ✓ With accessories



Technical specifications

EAN code 8020584098011	Axle Front	Thickness 15 mm
Width 127 mm	Height 49 mm	Braking system Akebono
Wear indicator Acoustic	WVA number 21774,21012,21773	Accessories With anti-squeal shim



COMPATIBLE VEHICLES

COMPATIBLE OE PART NUMBERS

45022SA6600 HONDA

45022SA6N50 HONDA

45022SA6N52 HONDA

581011CA00 HYUNDAI

581011CA10 HYUNDAI

5810122A00 HYUNDAI

5810122A10 HYUNDAI

5810124A00 HYUNDAI

5810124B00 HYUNDAI

5810124C00 HYUNDAI

5810125A00 HYUNDAI

5810125A10 HYUNDAI

5810125A20 HYUNDAI

5810128A10 HYUNDAI

5820228A00 HYUNDAI

AL004M1124 HYUNDAI
