



BRAKE PAD PRIME CERAMIC P30124N

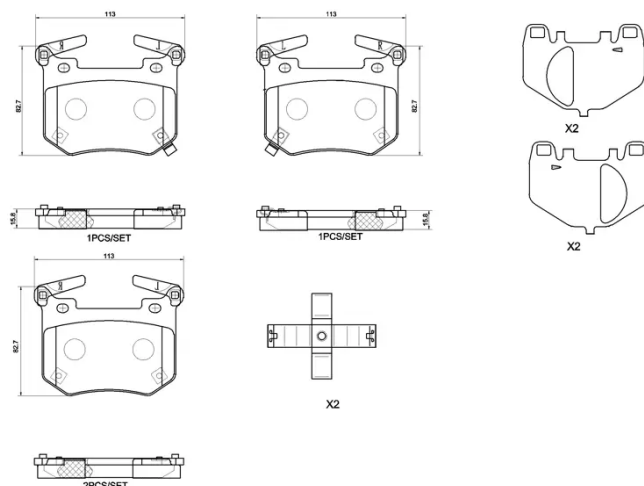
The P30124N NAO brake pad is synonymous with reliability

Brembo NAO brake pads stand out for their ultimate braking comfort, reduced friction wear and low dust mission, which makes for cleaner rims and reduced maintenance requirements. The advanced friction material in keeping with the strictest environmental standards is the main distinguishing feature of NAO compounds.

- ✓ OE-equivalent
- ✓ Brembo quality
- ✓ Safety
- ✓ Comfort
- ✓ Durability
- ✓ Dust reduction
- ✓ With accessories

Technical specifications

EAN code 8020584119228	Axle Rear	Thickness 16 mm
Width 113 mm	Height 83 mm	Braking system Brembo
Wear indicator Acoustic	WVA number 22873,22874,22875	Accessories With accessories With anti-squeal shim With counterweights



COMPATIBLE VEHICLES

COMPATIBLE OE PART NUMBERS

58302J5A50	KIA
58302J5A55	KIA